

# DeZURIK G-SERIES MANUAL GEAR ACTUATORS

## Design and Construction

DeZURIK G-Series Manual Gear Actuators are available in cast iron construction for use on eccentric plug valves (PEC), full port eccentric plug valves (PEF), AWWA butterfly valves (BAW), High Performance butterfly valves (BHP), and uninterrupted seat resilient-seated butterfly valves (BOS-US).

G-Series manual gear cast iron actuators feature sintered bronze bearings on each end of the input shaft for durability and performance. The ductile iron gear provides strength for robust applications and a long service life without maintenance. G-Series manual gear cast iron actuators are available with handwheel, chainwheel or 2 inch square nut.

## Externally Adjustable Stops

Open and closed position stop screws are externally adjustable, permitting easy and quick adjustment of gear limit stop positions for the valve.

## Enclosed and Buried Service

The actuator is weatherproof as standard, and is sealed to prohibit entry of moisture and dirt. The operator is high-temperature grease filled.

## Easily Visible Indicator

G-Series manual gear actuators feature an external, easy-to-read indicator that clearly indicates valve position.

## Safety Lockout

As an option, a convenient lockout may be ordered on handwheel actuators. The lockout allows the actuator to be padlocked in open, closed and various intermediate positions. The lockout may also be purchased separately for field conversion.



# Actuator Weights

## Basic Actuator\*

Actuator Size	Weight lbs/kg
6	Contact DeZURIK
6A	
6B	$\frac{38}{17}$
12	Contact DeZURIK
12A	

## Handwheel Input\*

Handwheel Size	Weight lbs/kg
HD8	$\frac{8}{4}$
HD12	$\frac{11}{5}$
HD16	$\frac{16}{7}$
HD20	$\frac{21}{10}$
HD24	$\frac{26}{12}$
HD30	$\frac{33}{15}$
HD36	Contact DeZURIK

## Chainwheel Input\*

Chainwheel Size	Weight lbs/kg
CW8	$\frac{11}{5}$
CW12	$\frac{16}{7}$
CW20	$\frac{37}{17}$
CW24	$\frac{62}{28}$
CW30	$\frac{70}{32}$

## 2" Square Nut Input\*

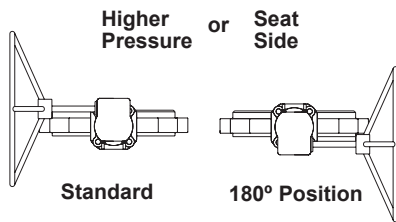
Nut	Weight lbs/kg
NT	$\frac{7}{3}$

\*Add Basic Actuator Weight to Input Weight for total

## Mounting Positions

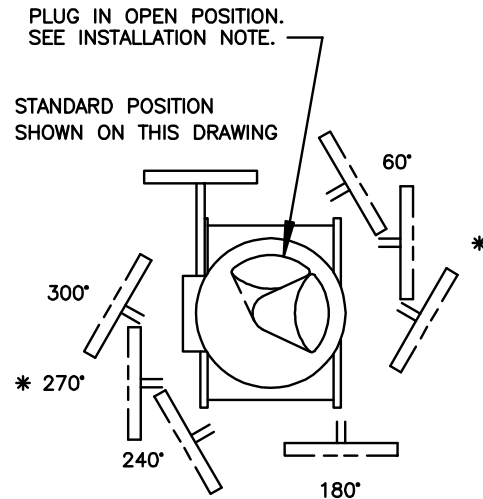
- BAW AWWA Butterfly Valves**
- BOS-US Resilient Seated Butterfly Valves**
- BHP High Performance Butterfly Valves**

Handwheel and chainwheel actuators can be mounted at standard and 180° mounting positions.



- PEC Eccentric Plug Valves**
- PEF Full Port Eccentric Plug Valves**

Handwheel and chainwheel actuators can be mounted at standard 60°, 90°, 180°, 240° and 270° mounting positions.



ACTUATOR MOUNTING POSITIONS AS VIEW FROM TOP OF VALVE. DOTTED LINES SHO OPTIONAL MOUNTING POSITIONS.

- \* THE 90° AND 270° POSITIONS REQUIRE DIFFERENT INTERNAL GEARING. THESE POSITIONS MUST BE NOTED ON THE PURCHASE ORDER.

# Accessories

## Manual Gear Lockout

Shaft hubs allow the actuator to be padlocked in open, closed and in various intermediate positions. Available on handwheel units only. To order, add LK after the actuator code.

**Ordering Example:**

PEC,4,F1,Ci,NBR,CR\*GS-6-HD8,LK



## Chain for Chainwheel Actuators

Order as a separate item by giving code from the table below and required length of chain.

Order Code	Description
ACC*CN102	Standard 3/16
ACC*CN103	Galvanized 3/16
ACC*CN106	304 Stainless Steel 3/16

**Ordering Example:**

ACC\*CN102

Chain 10 feet (3048mm) long

## Galvanized Chainwheel and Guide

Same as chainwheel actuator except chainwheel and guide are galvanized. To order, specify galvanized chainwheel and guide as second line information.

**Ordering Example:**

PEC,4,F1,Ci,NBR,CR\*GS-6-CW8

Except chainwheel and chain guide to be galvanized.

## Memory/Open Position Stop

An adjustable memory stop for handwheel actuators allows return of the valve to a preset open position after shutoff. To order, add ST to the order code.

**Ordering Example:**

PEC,4,F1,Ci,NBR,CR\*GS-6-HD8,ST

## Switches and Position Transmitters

DeZURIK position indicating switches can be ordered separately or combined with a position transmitter in one enclosure.

## Options

Extensions, floorstands, grease-filled protective boot and stem guides are available on application.

# Ordering

To order G-Series manual gear actuators, select the model from the appropriate sizing charts in Bulletin 73.00-6. As a reference, the actuator model codes are defined below.

Actuator Type	
Give the actuator type code as follows:	
GS	= G-Series
GB	= G-Series Buried

Actuator Size	
Give the actuator size code as follows:	
6	= G-Series Manual Gear Size 6
6A	= G-Series Manual Gear Size 6 (AWWA C517-05 Compliant)
6B	= G-Series Manual Gear Size 6 (AWWA C504-15 Compliant)
12	= G-Series Manual Gear Size 12
12A	= G-Series Manual Gear Size 12 (AWWA C517-05 Compliant)

Input Type/Size			
Give the input type/size code as follows:			
HD8	= 8" Handwheel	CW8	= 8" Chainwheel
HD12	= 12" Handwheel	CW12	= 12" Chainwheel
HD16	= 16" Handwheel	CW20	= 20" Chainwheel
HD20	= 20" Handwheel	CW24	= 24" Chainwheel
HD24	= 24" Handwheel	CW30	= 30" Chainwheel
HD30	= 30" Handwheel	NT	= 2" Nut
HD36	= 36" Handwheel		

Actuator Mounting
Specify actuator mounting positions other than standard (60°, 90°, 120°, 180°, 240°, 270°, 300°) after actuator code.

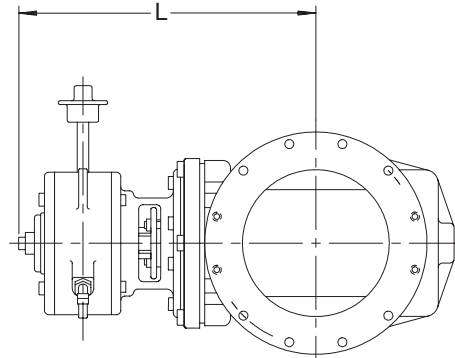
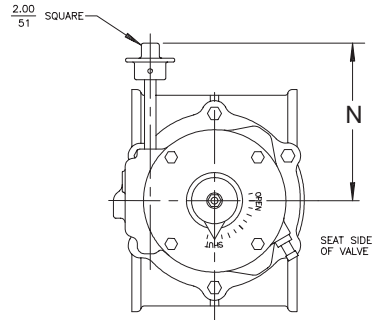
**Ordering Example:**

PEC,4,F1,Ci,NBR,CR\*GS-6-HD8-90

# Dimensions

## PEC Eccentric Plug Valves Nut - General or Buried Service (GS or GB)

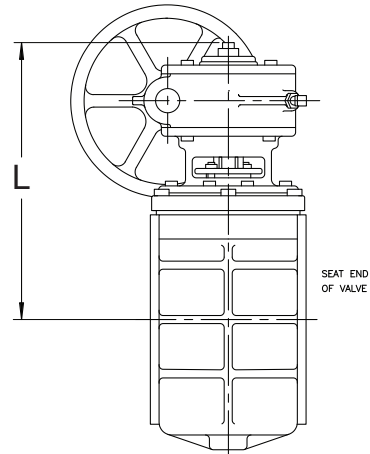
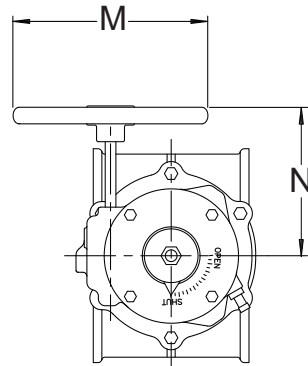
Valve Size	Actuator Size	L	L*	N
4" 100mm	6	13.27	13.84	10.25
		337	352	260
5 & 6" 125 & 150mm		15.46	16.03	12.12
		393	407	308
8" 200mm		17.28	17.85	12.12
		439	453	308
10" 250mm		18.77	19.34	14.50
		477	491	368
12" 300mm		20.40	20.97	15.25
		518	533	387
8" 200mm	12	20.63	19.87	20.88
		524	505	530
10" 250mm		22.12	21.36	20.88
		562	543	530
12" 300mm		24.13	23.37	20.88
		613	594	530
14" 350mm		25.12	24.36	20.88
		638	619	530
16" 400mm		26.62	25.86	20.88
		676	657	530
18" 450mm	27.50	26.74	20.88	
	699	679	530	
20" 500mm	29.38	28.62	20.88	
	746	727	530	



Inch  
Millimeter  
\* Denotes Buried Service

## PEC Eccentric Plug Valves Handwheel - General or Buried Service (GS-6 or GB-6)

Valve Size	Actuator Size	L	L*	M	N
4" 100mm	6-HD8	13.27	13.84	8.00	6.88
		337	352	203	175
5 & 6" 125 & 150mm		15.46	16.03	8.00	8.75
		393	407	203	222
		15.46	16.03	12.00	8.75
		393	407	305	222
6" 150mm		15.46	16.03	16.00	9.12
		393	407	406	232
		15.46	16.03	20.00	9.38
		393	407	508	238
8" 200mm		17.28	17.85	8.00	8.75
		439	453	203	222
	17.28	17.85	12.00	9.38	
	439	453	305	238	
6" 150mm	17.28	17.85	16.00	9.75	
	439	453	406	248	
	17.28	17.85	20.00	9.38	
	439	453	508	238	
10" 250mm	18.77	19.34	8.00	11.12	
	477	491	203	282	
	18.77	19.34	12.00	11.62	
	477	491	305	295	
6" 150mm	18.77	19.34	16.00	12.00	
	477	491	406	305	
	18.77	19.34	20.00	11.62	
	477	491	508	295	
12" 300mm	20.40	20.97	8.00	11.88	
	518	533	203	302	
	20.40	20.97	12.00	12.88	
	518	533	305	327	
6" 150mm	20.40	20.97	16.00	13.25	
	518	533	406	337	
6" 150mm	20.40	20.97	20.00	12.88	
	518	533	508	327	

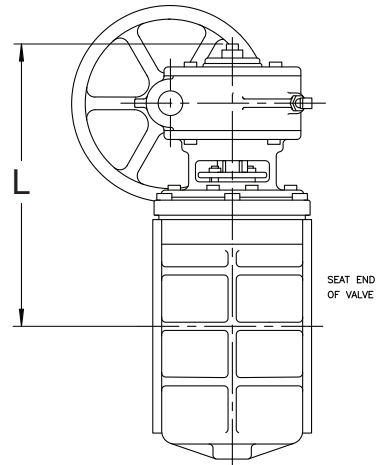
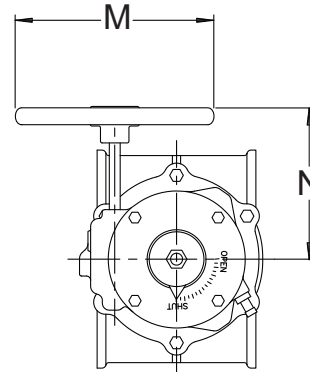


Inch  
Millimeter  
\* Denotes Buried Service

# Dimensions

## PEC Eccentric Plug Valves Handwheel - General or Buried Service (GS-12 or GB-12)

Valve Size	Actuator Size	L	L*	M	N
8" 200mm	12-HD12	<u>20.63</u> 524	<u>19.87</u> 505	<u>12.00</u> 305	<u>17.88</u> 454
	12-HD16	<u>20.63</u> 524	<u>19.87</u> 505	<u>16.00</u> 406	<u>18.25</u> 464
10" 250mm	12-HD12	<u>22.12</u> 562	<u>21.36</u> 543	<u>12.00</u> 305	<u>17.88</u> 454
	12-HD16	<u>22.12</u> 562	<u>21.36</u> 543	<u>16.00</u> 406	<u>18.25</u> 464
	12-HD20	<u>22.12</u> 562	<u>21.36</u> 543	<u>20.00</u> 508	<u>18.25</u> 464
	12-HD24	<u>22.12</u> 562	<u>21.36</u> 543	<u>24.00</u> 610	<u>22.25</u> 565
12" 300mm	12-HD12	<u>24.13</u> 613	<u>23.37</u> 594	<u>12.00</u> 305	<u>17.88</u> 454
	12-HD16	<u>24.13</u> 613	<u>23.37</u> 594	<u>16.00</u> 406	<u>18.25</u> 464
	12-HD20	<u>24.13</u> 613	<u>23.37</u> 594	<u>20.00</u> 508	<u>18.25</u> 464
	12-HD24	<u>24.13</u> 613	<u>23.37</u> 594	<u>24.00</u> 610	<u>22.25</u> 565
14" 350mm	12-HD12	<u>25.12</u> 638	<u>24.36</u> 619	<u>12.00</u> 305	<u>17.88</u> 454
	12-HD16	<u>25.12</u> 638	<u>24.36</u> 619	<u>16.00</u> 406	<u>18.25</u> 464
	12-HD20	<u>25.12</u> 638	<u>24.36</u> 619	<u>20.00</u> 508	<u>18.25</u> 464
	12-HD24	<u>25.12</u> 638	<u>24.36</u> 619	<u>24.00</u> 610	<u>22.25</u> 565
16" 400mm	12-HD12	<u>26.62</u> 676	<u>25.86</u> 657	<u>12.00</u> 305	<u>17.88</u> 454
	12-HD16	<u>26.62</u> 676	<u>25.86</u> 657	<u>16.00</u> 406	<u>18.25</u> 464
	12-HD20	<u>26.62</u> 676	<u>25.86</u> 657	<u>20.00</u> 508	<u>18.25</u> 464
	12-HD24	<u>26.62</u> 676	<u>25.86</u> 657	<u>24.00</u> 610	<u>22.25</u> 565
18" 450mm	12-HD12	<u>27.50</u> 699	<u>26.74</u> 679	<u>12.00</u> 305	<u>17.88</u> 454
	12-HD16	<u>27.50</u> 699	<u>26.74</u> 679	<u>16.00</u> 406	<u>18.25</u> 464
	12-HD20	<u>27.50</u> 699	<u>26.74</u> 679	<u>20.00</u> 508	<u>18.25</u> 464
	12-HD24	<u>27.50</u> 699	<u>26.74</u> 679	<u>24.00</u> 610	<u>22.25</u> 565
20" 500mm	12-HD12	<u>29.37</u> 748	<u>28.62</u> 727	<u>12.00</u> 305	<u>17.88</u> 454
	12-HD16	<u>29.37</u> 748	<u>28.62</u> 727	<u>16.00</u> 406	<u>18.25</u> 464
	12-HD20	<u>29.37</u> 748	<u>28.62</u> 727	<u>20.00</u> 508	<u>18.25</u> 464
	12-HD24	<u>29.37</u> 748	<u>28.62</u> 727	<u>24.00</u> 610	<u>22.25</u> 565



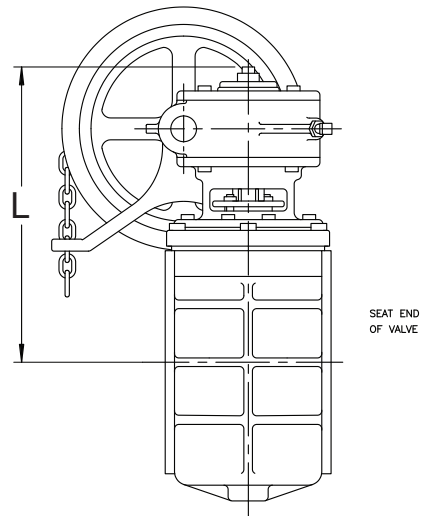
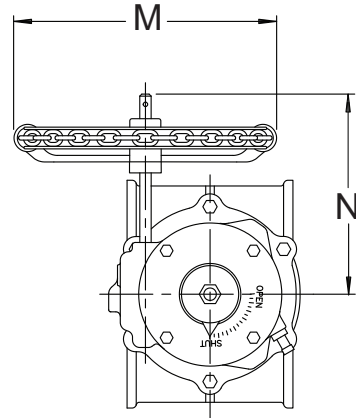
Inch  
Millimeter

\* Denotes Buried Service

# Dimensions

## PEC Eccentric Plug Valves Chainwheel - General Service (GS-6 and GS-12)

Valve Size	Actuator Size	L	M	N
4" 100mm	6-CW8	13.27	10.06	8.81
		337	256	224
5 & 6" 125 & 150mm	6-CW8	15.46	10.06	9.62
		393	256	244
	6-CW12	15.46	13.94	9.62
	6-CW20	15.46	21.62	9.62
		393	354	244
		393	549	244
8" 200mm	6-CW8	17.28	10.06	9.62
		439	256	244
	6-CW12	17.28	13.94	9.62
	6-CW20	17.28	21.62	9.62
		439	354	244
		439	549	244
10" 250mm	6-CW8	18.77	10.06	11.88
		477	256	302
	6-CW12	18.77	13.94	11.88
	6-CW20	18.77	21.62	11.88
		477	354	302
		477	549	302
12" 300mm	6-CW8	20.40	10.06	11.88
		518	256	302
	6-CW12	20.40	13.94	11.88
	6-CW20	20.40	21.62	11.88
		518	354	302
		518	549	302
8" 200mm	12-CW12	20.63	13.94	17.38
		524	354	441
	12-CW20	20.63	21.62	17.38
		524	549	441
10" 250mm	12-CW12	22.12	13.94	17.38
		562	354	441
	12-CW20	22.12	21.62	17.38
		562	549	441
	12-CW30	22.12	31.46	17.38
		562	799	441
12" 300mm	12-CW12	24.13	13.94	17.38
		613	354	441
	12-CW20	24.13	21.62	17.38
		613	549	441
	12-CW30	24.13	31.46	17.38
		613	799	441
14" 350mm	12-CW12	25.12	13.94	17.38
		638	354	441
	12-CW20	25.12	21.62	17.38
		638	549	441
	12-CW30	25.12	31.46	17.38
		638	799	441
16" 400mm	12-CW12	26.62	13.94	17.38
		676	354	441
	12-CW20	26.62	21.62	17.38
		676	549	441
	12-CW30	26.62	31.46	17.38
		676	799	441
18" 450mm	12-CW12	27.50	13.94	17.38
		699	354	441
	12-CW20	27.50	21.62	17.38
		699	549	441
	12-CW30	27.50	31.46	17.38
		699	799	441
20" 500mm	12-CW12	29.38	13.94	17.38
		746	354	441
	12-CW20	29.38	21.62	17.38
		746	549	441
	12-CW30	29.38	31.46	17.38
		746	799	441



Inch  
Millimeter

\* Denotes Buried Service

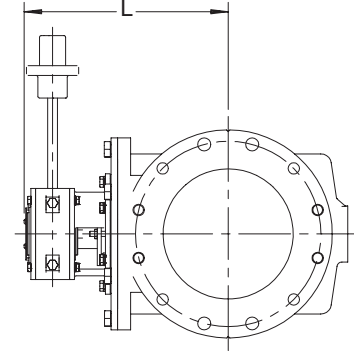
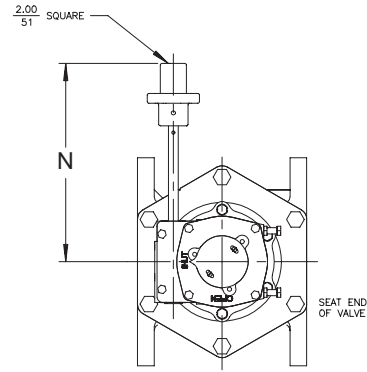
# Dimensions

## PEF 100% Port Eccentric Plug Valves Nut - General or Buried Service (GS or GB)

Valve Size	Actuator Size	L	L*	N
3" 80mm	6A	10.19	10.69	15.25
		259	272	387
4" 100mm		10.81	11.31	15.25
		275	287	387
5 & 6" 125 & 150mm		11.94	12.44	15.25
		303	316	387
8" 200mm		14.28	14.78	15.25
		363	375	387
10" 250mm		15.69	16.19	15.25
		399	411	387
12" 300mm	17.75	18.25	15.25	
	451	464	387	
8" 200mm	12A	16.22	16.22	17.85
		412	412	453
10" 250mm		16.88	17.62	17.85
		429	448	453
12" 300mm		18.94	19.69	17.85
		481	500	453
14" 350mm		20.25	21.00	17.85
		514	533	453
16" 400mm		21.69	22.44	17.85
		551	570	453
18" 450mm	22.94	23.69	17.85	
	583	602	453	
20" 500mm	24.75	25.50	17.85	
	629	648	453	

Inch  
Millimeter

\* Denotes Buried Service

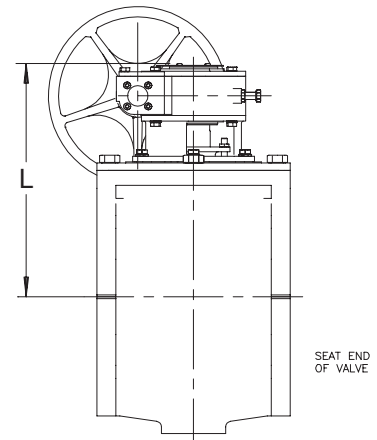
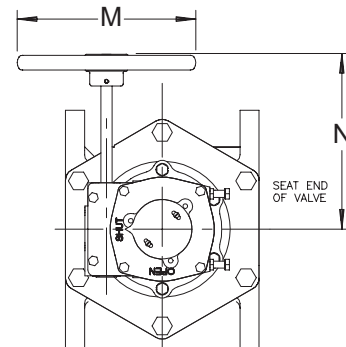


## PEF 100% Port Eccentric Plug Valves Handwheel - General or Buried Service (GS-6A or GB-6A)

Valve Size	Actuator Size	L	L*	M	N
3" 80mm	6A-HD8	10.19	10.69	8.00	11.81
	6A-HD12	10.19	10.69	12.00	11.81
4" 100mm	6A-HD8	10.81	11.31	8.00	11.81
	6A-HD12	10.81	11.31	12.00	11.81
5 & 6" 125 & 150mm	6A-HD8	11.94	12.44	8.00	11.81
	6A-HD12	11.94	12.44	12.00	11.81
8" 200mm	6A-HD8	14.28	14.78	8.00	11.81
	6A-HD12	14.28	14.78	12.00	11.81
10" 250mm	6A-HD8	15.69	16.19	8.00	11.81
	6A-HD12	15.69	16.19	12.00	11.81
12" 300mm	6A-HD8	17.75	18.25	8.00	11.81
	6A-HD12	17.75	18.25	12.00	11.81

Inch  
Millimeter

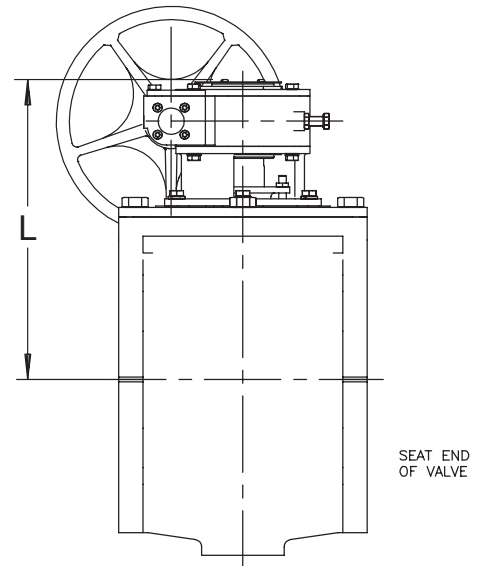
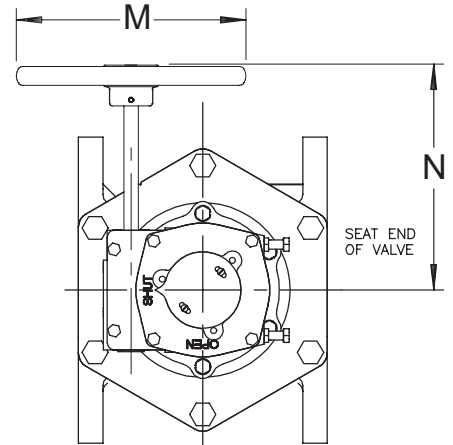
\* Denotes Buried Service



# Dimensions

## PEF 100% Port Eccentric Plug Valves Handwheel - General or Buried Service (GS-12A or GB-12A)

Valve Size	Actuator Size	L	L*	M	N
8" 200mm	12A-HD12	16.22	16.22	12.00	15.12
		412	412	305	384
10" 250mm	12A-HD12	16.88	17.62	12.00	15.12
	12A-HD16	16.88	17.62	16.00	15.48
	12A-HD20	16.88	17.62	20.00	15.48
12" 300mm	12A-HD12	18.94	19.69	12.00	15.12
	12A-HD16	18.94	19.69	16.00	15.48
	12A-HD20	18.94	19.69	20.00	15.48
14" 350mm	12A-HD12	20.25	21.00	12.00	15.12
	12A-HD16	20.25	21.00	16.00	15.48
	12A-HD20	20.25	21.00	20.00	15.48
	12A-HD24	20.25	21.00	24.00	22.19
	12A-HD30	20.25	21.00	30.00	23.69
16" 400mm	12A-HD12	21.69	22.44	12.00	15.12
	12A-HD16	21.69	22.44	16.00	15.48
	12A-HD20	21.69	22.44	20.00	15.48
	12A-HD24	21.69	22.44	24.00	22.19
	12A-HD30	21.69	22.44	30.00	23.69
18" 450mm	12A-HD12	22.94	23.69	12.00	15.12
	12A-HD16	22.94	23.69	16.00	15.48
	12A-HD20	22.94	23.69	20.00	15.48
	12A-HD24	22.94	23.69	24.00	22.19
	12A-HD30	22.94	23.69	30.00	23.69
20" 500mm	12A-HD12	24.75	25.50	12.00	15.12
	12A-HD16	24.75	25.50	16.00	15.48
	12A-HD20	24.75	25.50	20.00	15.48
	12A-HD24	24.75	25.50	24.00	22.19
	12A-HD30	24.75	25.50	30.00	23.69



Inch  
Millimeter

\* Denotes Buried Service

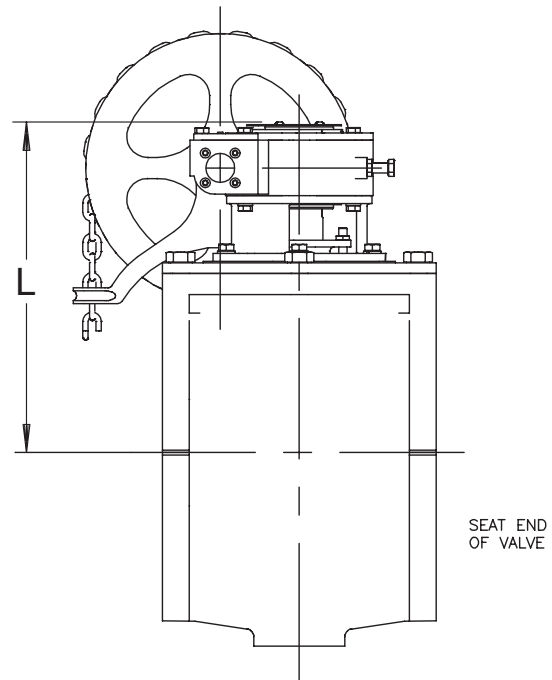
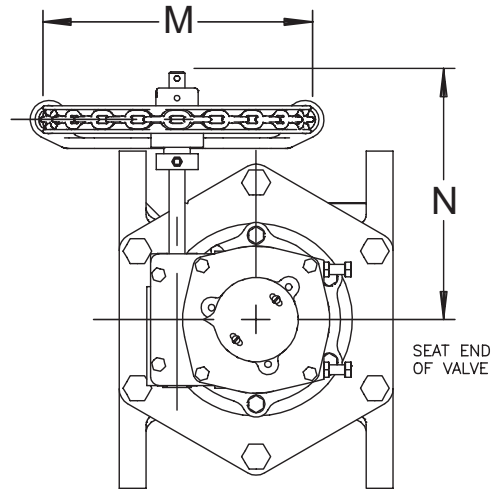
Note: 10" & 12" Valve Size Available with 24" & 30" Handwheel (Buried Service Only)



# Dimensions

## PEF 100% Port Eccentric Plug Valves Chainwheel - General Service (GS-6A and GS-12A)

Valve Size	Actuator Size	L	M	N
3" 80mm	6A-CW8	10.19 259	8.00 203	11.75 224
	6A-CW12	10.19 259	12.00 305	11.75 224
4" 100mm	6A-CW8	10.81 275	8.00 203	11.75 224
	6A-CW12	10.81 275	12.00 305	11.75 224
5 & 6" 125 & 150mm	6A-CW8	11.94 303	8.00 203	11.75 224
	6A-CW12	11.94 303	12.00 305	11.75 224
8" 200mm	6A-CW8	14.28 363	8.00 203	11.75 224
	6A-CW12	14.28 363	12.00 305	11.75 224
10" 250mm	6A-CW8	15.69 399	8.00 203	11.75 224
	6A-CW12	15.69 399	12.00 305	11.75 224
	6A-CW20	15.69 399	20.06 510	14.38 365
12" 300mm	6A-CW8	17.75 451	8.00 203	11.75 224
	6A-CW12	17.75 451	12.00 305	11.75 224
	6A-CW20	17.75 451	20.06 510	14.38 365
10" 250mm	12A-CW12	16.88 429	12.75 324	14.38 365
	12A-CW20	16.88 429	20.06 510	14.38 365
12" 300mm	12A-CW12	16.94 481	12.75 324	14.38 365
	12A-CW20	16.94 481	20.06 510	14.38 365
14" 350mm	12A-CW12	20.25 514	12.75 324	17.38 441
	12A-CW20	20.25 514	20.06 510	17.38 441
	12A-CW24	20.25 514	24.44 621	17.38 441
	12A-CW30	20.25 514	29.75 756	17.38 441
16" 400mm	12A-CW12	21.69 551	12.75 324	17.38 441
	12A-CW20	21.69 551	20.06 510	17.38 441
	12A-CW24	21.69 551	24.44 621	17.38 441
	12A-CW30	21.69 551	29.75 756	17.38 441
18" 450mm	12A-CW12	22.94 583	12.75 324	17.38 441
	12A-CW20	22.94 583	20.06 510	17.38 441
	12A-CW24	22.94 583	24.44 621	17.38 441
	12A-CW30	22.94 583	29.75 756	17.38 441
20" 500mm	12A-CW12	24.75 629	12.75 324	17.38 441
	12A-CW20	24.75 629	20.06 510	17.38 441
	12A-CW24	24.75 629	24.44 621	17.38 441
	12A-CW30	24.75 629	29.75 756	17.38 441



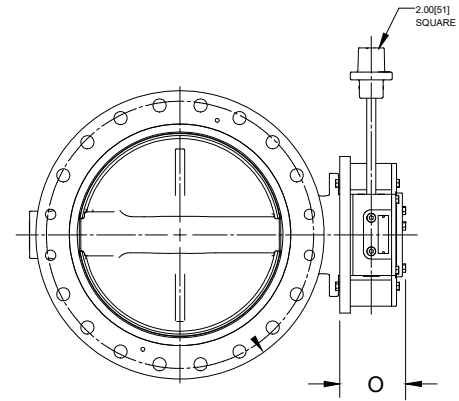
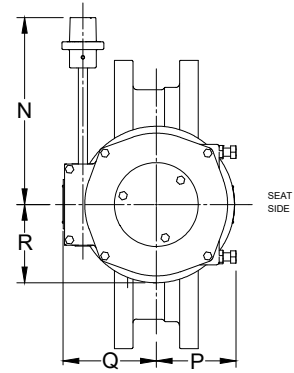
Inch  
Millimeter

# Dimensions

## BAW AWWA Butterfly Valves Nut - General or Buried Service (GS or GB)

Valve Size	Actuator Size	N	O	P	Q	R
3-12" 80-300mm	6B	15.25 387	4.96 126	5.10 130	5.19 132	3.75 95
14-20" 350-500mm	6B	15.25 387	5.96 151	5.10 130	5.19 132	3.75 95
20-30" 500-750mm	12A	17.85 453	6.27 159	7.60 193	8.90 226	7.47 190

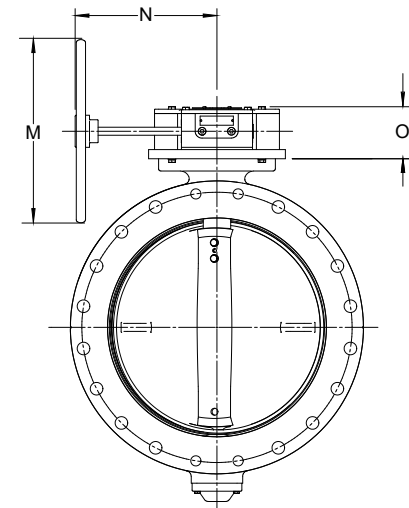
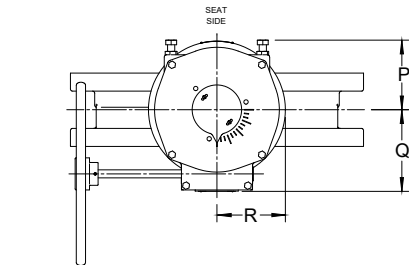
Inch  
Millimeter



## BAW AWWA Butterfly Valves Handwheel - General or Buried Service (GS or GB)

Valve Size	Actuator Size	M	N	O	P	Q	R
3-12" 80-300mm	6B-HD8	8.00 203	11.81 300	4.54 115	5.10 130	5.19 132	3.75 95
	6B-HD12	12.00 305	11.81 300	4.54 115	5.10 130	5.19 132	3.75 95
	6B-HD16	16.00 406	12.25 311	4.54 115	5.10 130	5.19 132	3.75 95
14-18" 350-450mm	6B-HD16	16.00 406	12.25 311	4.54 115	5.10 130	5.19 132	3.75 95
	6B-HD24	24.00 610	15.94 405	5.54 141	5.10 130	5.19 132	3.75 95
18-20" 450-500mm	12A-HD20	20.00 508	15.48 393	5.66 144	7.60 193	8.89 226	7.47 190
20" 500mm	12A-HD30	30.00 762	20.68 525	5.66 144	7.60 193	8.89 226	7.47 190
24" 600mm	12A-HD20	20.00 508	15.48 393	5.66 144	7.60 193	8.89 226	7.47 190
	12A-HD30	30.00 762	20.69 526	5.68 144	7.60 193	8.89 226	7.47 190
28-30" 700-750mm	12A-HD30	30.00 762	20.69 526	5.68 144	7.60 193	8.89 226	8.25 210

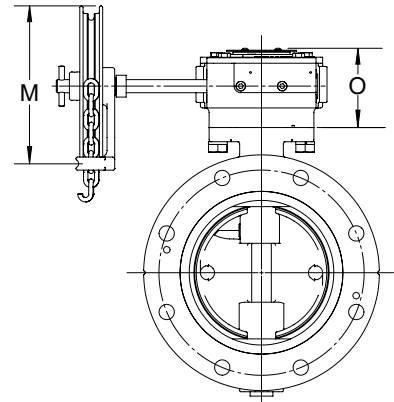
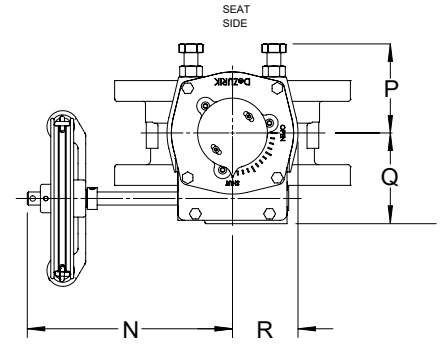
Inch  
Millimeter



# Dimensions

## BAW AWWA Butterfly Valves Chainwheel - General or Buried Service (GS or GB)

Valve Size	Actuator Size	M	N	O	P	Q	R
3-12" 80-300mm	6B-CW8	8.00 203	11.81 300	4.54 115	5.10 130	5.19 132	3.75 95
	6B-CW12	12.00 305	11.81 300	4.54 115	5.10 130	5.19 132	3.75 95
	6B-CW20	20.00 508	18.64 473	4.54 115	5.10 130	5.19 132	3.75 95
14-20" 350-500mm	6B-CW20	20.00 508	18.64 473	5.54 141	5.10 130	5.19 132	3.75 95
	6B-CW24	24.00 610	18.64 473	5.54 141	5.10 130	5.19 132	3.75 95



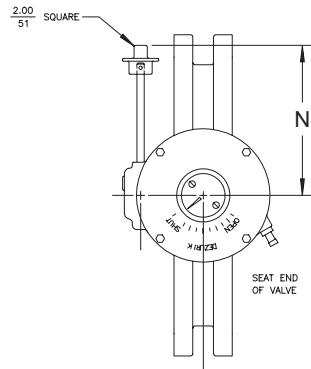
Inch

Millimeter

\* Denotes Buried Service

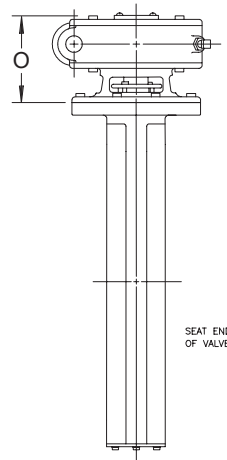
## BOS-US Uninterrupted Seat Butterfly Valves Nut - General or Buried Service (GS or GB)

Valve Size	Actuator Size	N	O
24-36" 600-900mm	GS-12	16.38 416	10.37 263
24-36" 600-900mm	GB-12	16.38 416	12.24 311



Inch

Millimeter

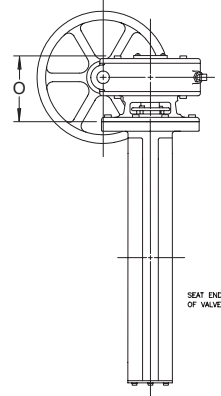
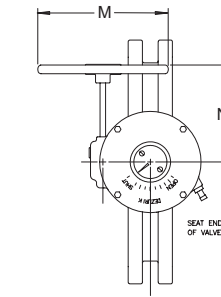


# Dimensions

## BOS-US Uninterrupted Seat Butterfly Valves Handwheel - General or Buried Service (GS or GB)

Valve Size	Actuator Size	M	N	O	O*
24" 600mm	12-HD12	12.00 305	13.50 343	10.37 263	12.24 311
	12-HD16	16.00 406	13.50 343	10.37 263	12.24 311
	12-HD20	20.00 508	13.50 343	10.37 263	12.24 311
	12-HD24	24.00 610	17.50 445	10.37 263	12.24 311
	12-HD30	30.00 762	17.50 445	10.37 263	12.24 311
30" 750mm	12-HD16	16.00 406	13.50 343	10.37 263	12.24 311
	12-HD20	20.00 508	13.50 343	10.37 263	12.24 311
	12-HD24	24.00 610	17.50 445	10.37 263	12.24 311
	12-HD30	30.00 762	17.50 445	10.37 263	12.24 311
36" 900mm	12-HD24	24.00 610	17.50 445	10.37 263	12.24 311
	12-HD30	30.00 762	17.50 445	10.37 263	12.24 311

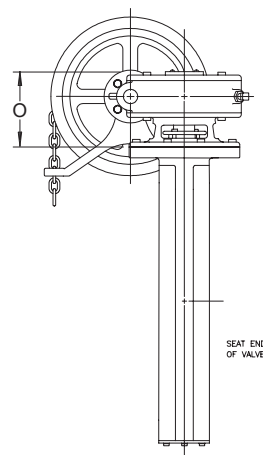
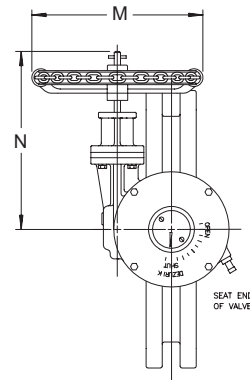
Inch  
Millimeter



## BOS-US Uninterrupted Seat Butterfly Valves Chainwheel - General Service (GS)

Valve Size	Actuator Size	M	N	O
24" 600mm	12-CW12	12.75 324	20.75 527	9.37 263
	12-CW20	20.00 508	20.75 527	9.37 263
	12-CW30	30.00 762	20.75 527	9.37 263
28" 700mm	12-CW30	30.00 762	20.75 527	9.37 263
30" 750mm	12-CW20	20.00 508	20.75 527	9.37 263
	12-CW30	30.00 762	20.75 527	9.37 263
36" 900mm	12-CW30	30.00 762	20.75 527	9.37 263

Inch  
Millimeter

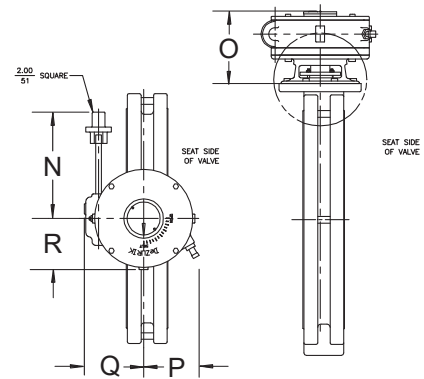


# Dimensions

## BHP High Performance Butterfly Valves Nut - General (GS)

Valve Size	Actuator Size	N	O	P	Q	R
24-36" 600-900mm	12	16.38 416	10.37 263	9.50 241	9.25 235	7.88 200

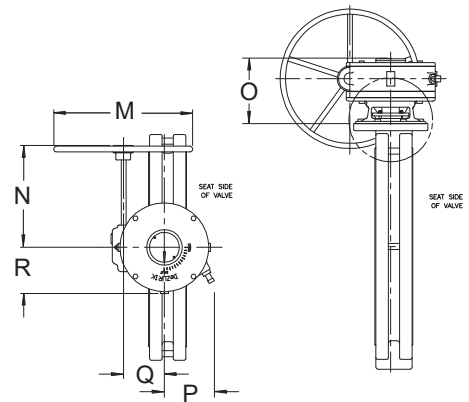
Inch  
Millimeter



## BHP High Performance Butterfly Valves Handwheel - General (GS) Class 150 - PTFE (TT, TI, RI, RT) Seat

Valve Size	Actuator Size	M	N	O	P	Q	R
20" 500mm	12A-HD20	20.00 508	15.48 393	5.30 135	7.60 193	8.88 225	7.47 190
24-36" 600-900mm	12-HD16	16.00 406	13.50 343	10.37 263	9.50 241	9.25 235	7.88 200
	12-HD30	30.00 762	19.50 495	10.37 263	9.50 241	9.25 235	7.88 200

Inch  
Millimeter



## BHP High Performance Butterfly Valves Handwheel - General (GS) Class 150 - Fyre-Block (TTS2 & FB or RTS2 & FB), Dual (TTS2, TIS2, RTS2, RIS2) & Metal (S2) Seat

Valve Size	Actuator Size	M	N	O	P	Q	R
24" 600mm	12-HD24	24.00 610	18.00 457	10.37 263	9.50 241	9.25 235	7.88 200
28-30" 700-750mm	12-HD20	20.00 508	15.48 393	10.37 263	9.50 241	9.25 235	7.88 200

Inch  
Millimeter

## BHP High Performance Butterfly Valves Handwheel - General (GS) Class 300 - PTFE (TT, TI, RI, RT) Seat

Valve Size	Actuator Size	M	N	O	P	Q	R
24" 600mm	12-HD24	24.00 610	18.00 457	10.37 263	9.50 241	9.25 235	7.88 200

Inch  
Millimeter

## BHP High Performance Butterfly Valves Handwheel - General (GS) Class 300 - Fyre-Block (TTS2 & FB or RTS2 & FB), Dual (TTS2, TIS2, RTS2, RIS2) & Metal (S2) Seat

Valve Size	Actuator Size	M	N	O	P	Q	R
14-16" 350-400mm	12-HD24	24.00 610	18.00 457	10.37 263	9.50 241	9.25 235	7.88 200
18" 450mm	12-HD30	30.00 762	19.50 495	10.37 263	9.50 241	9.25 235	7.88 200

Inch  
Millimeter

# Dimensions

## BHP High Performance Butterfly Valves Chainwheel - General (GS) Class 150 - PTFE (TT, TI, RI, RT) Seat

Valve Size	Actuator Size	M	N	O	P	Q	R
20" 500mm	12A-CW20	20.00 508	14.35 364	5.31 135	7.60 193	8.88 225	7.47 190
24-36" 600-900mm	12-CW20	20.00 508	20.75 527	10.37 263	9.50 241	9.25 235	7.88 200
	12-CW30	30.00 762	20.75 527	10.37 263	9.50 241	9.25 235	7.88 200

Inch  
Millimeter

## BHP High Performance Butterfly Valves Chainwheel - General (GS) Class 150 - Fyre-Block (TTS2 & FB or RTS2 & FB), Dual (TTS2, TIS2, RTS2, RIS2) & Metal (S2) Seat

Valve Size	Actuator Size	M	N	O	P	Q	R
24-30" 600-750mm	12-CW20	20.00 508	14.35 364	10.37 263	9.50 241	9.25 235	7.88 200

Inch  
Millimeter

## BHP High Performance Butterfly Valves Chainwheel - General (GS) Class 300 - PTFE (TT, TI, RI, RT) Seat

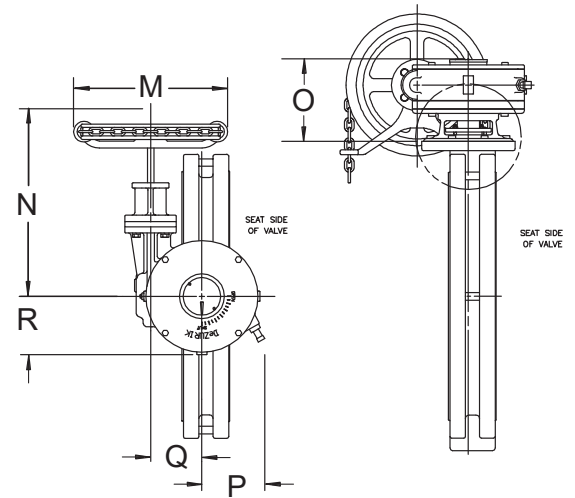
Valve Size	Actuator Size	M	N	O	P	Q	R
24" 600mm	12-CW20	20.00 508	14.35 364	10.37 263	9.50 241	9.25 235	7.88 200

Inch  
Millimeter

## BHP High Performance Butterfly Valves Chainwheel - General (GS) Class 300 - Fyre-Block (TTS2 & FB or RTS2 & FB), Dual (TTS2, TIS2, RTS2, RIS2) & Metal (S2) Seat

Valve Size	Actuator Size	M	N	O	P	Q	R
14-16" 350-400mm	12-CW20	20.00 508	14.35 364	10.37 263	9.50 241	9.25 235	7.88 200
18" 450mm	12-CW30	30.00 762	20.75 527	10.37 263	9.50 241	9.25 235	7.88 200

Inch  
Millimeter



## Sales and Service

For information about our worldwide locations, approvals, certifications and local representative:

Web Site: [DeZURIK.com](http://DeZURIK.com) E-Mail: [info@DeZURIK.com](mailto:info@DeZURIK.com)



250 Riverside Ave. N. Sartell, Minnesota 56377 • Phone: 320-259-2000 • Fax: 320-259-2227

*DeZURIK, Inc. reserves the right to incorporate our latest design and material changes without notice or obligation. Design features, materials of construction and dimensional data, as described in this bulletin, are provided for your information only and should not be relied upon unless confirmed in writing by DeZURIK, Inc. Certified drawings are available upon request.*