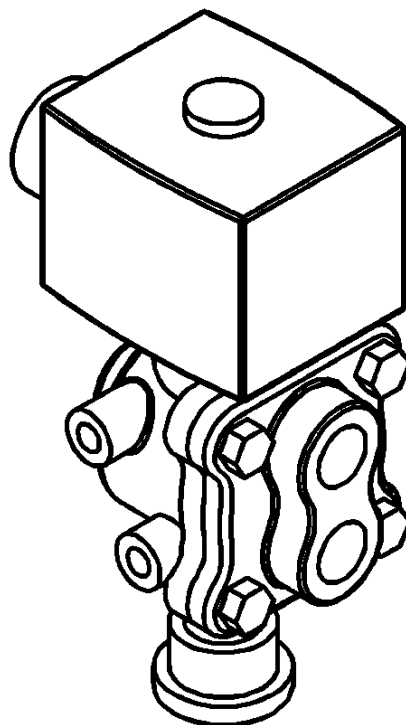


DEZURIK 4V 4-WAY PILOT VALVE

USED WITH DEZURIK DIAPHRAGM AND
CYLINDER ACTUATORS



Instruction **D10392**

August 2012

Instructions

These instructions are for use by personnel who are responsible for the installation, operation and maintenance of DeZURIK valves, actuators or accessories.

Safety Messages

All safety messages in the instructions are identified by a general warning sign and the signal word CAUTION, WARNING or DANGER. These messages indicate procedures to avoid injury or death.

Safety label(s) on the product indicate hazards that can cause injury or death. If a safety label becomes difficult to see or read, or if a label has been removed, please contact DeZURIK for replacement label(s).

▲WARNING

Personnel involved in the installation or maintenance of valves should be constantly alert to potential emission of pipeline material and take appropriate safety precautions. Always wear suitable protection when dealing with hazardous pipeline materials. Handle valves which have been removed from service with suitable protection for any potential pipeline material in the valve.

Inspection

Your DeZURIK product has been packaged to provide protection during shipment; however, items can be damaged in transport. Carefully inspect the unit for damage upon arrival and file a claim with the carrier if damage is apparent.

Parts

Replaceable wear parts are listed on the assembly drawing. These parts can be stocked to minimize downtime. Order parts from your local DeZURIK sales representative or directly from DeZURIK. When ordering parts please provide the following information:

If the valve has a data plate: please include the 7-digit part number with either 4-digit revision number (example: 9999999R000) or 8-digit serial number (example: S1900001) whichever is applicable. The data plate will be attached to the valve assembly. Also, include the part name, the assembly drawing number, the balloon number and the quantity stated on the assembly drawing.

If there isn't any data plate visible on the valve: please include valve model number, part name, and item number from the assembly drawing. You may contact your local DeZURIK Representative to help you identify your valve.

DeZURIK Service

DeZURIK service personnel are available to maintain and repair all DeZURIK products. DeZURIK also offers customized training programs and consultation services. For more information, contact your local DeZURIK sales representative or visit our website at DeZURIK.com.

Table of Contents

Description ----- 4

Operation

Double-Acting Actuators ----- 4

Single-Acting Actuators ----- 4

Electrical Characteristics ----- 4

Installation

Mounting on Diaphragm Actuators ----- 5

Mounting on Double Acting and Spring Return Gear Unit Actuators ----- 5

Mounting on Compact Pneumatic Actuators ----- 6

Piping and Electrical Connections ----- 6

Reversing the Action ----- 7

Operating The Manual Override (8342 Series) ----- 7

Operating The Optional Manual Override (8344 Series) ----- 7

Speed Controls ----- 8

DeZURIK

ASCO 4V 4-Way Pilot Valve used with Diaphragm and Cylinder Actuators

Description

The ASCO 4V 4-way solenoid pilot valve is used on cylinder and diaphragm actuators to provide electrical control of the valve operation. Refer to the data plate attached to the solenoid pilot valve for specific product limitations. Manual override and integral speed controls are also available for the 8342 series pilot valve. Manual override is available on 8344 series pilot valves.

Operation

Double-Acting Actuators

When the solenoid is energized on a double acting actuator, it will route the supply air to one of the cylinder ports; when the solenoid is de-energized, it will route the supply air to the other cylinder port.

Note: Ports are marked “A” and “B”—reversing the connections will cause reverse operation.

Single-Acting Actuators

When the ASCO 4V 4-way solenoid pilot valve is used on a single acting actuator, one of the ports must be plugged.

Note: Ports are marked “A” and “B”—reversing the connections will cause reverse operation.

Electrical Characteristics

This pilot valve is available in several different voltages. Refer to the data plate on the pilot valve for the electrical characteristics of that unit.



CAUTION!

Applying the wrong voltage/hertz can cause the solenoid coil to overheat and malfunction. Verify that the supply voltage/hertz matches the rating on the pilot valve before applying power.



CAUTION!

If pilot valve is supplied with dual coils, do not energize both solenoids simultaneously.

Installation

Mounting on Diaphragm Actuators

The solenoid valve is bracket-mounted and attached to one of the cover screws.

1. Refer to the assembly drawing.
2. Mount the bracket to the solenoid valve with the included screws.
3. Remove one of the diaphragm cover mounting screws.
4. Mount the bracket in the same hole with the longer screw (included with kit), and the same washer and nut. Installation
5. Tighten the screw as shown in Table A.

Table A: Diaphragm Cover Torques

Model	Torque, ft. lbs
40	6±2
55	12±2
85	18±2
145	12±2
250	18±2

6. Proceed to “Piping and Electrical Connections” section.

Mounting on Double Acting and Spring Return Gear Unit Actuators

1. Refer to the assembly drawing.
2. Mount the bracket to the solenoid valve with the included screws.
3. Remove one of the cylinder tie rod nuts.
4. Mount the bracket in the same hole with the same nut and washer.
5. Tighten the nut to the torque shown in Table B.

Table B: Tie Rod Nut Torques

Fastener	Size	Torque, ft. lbs
Tie Rod Nuts	5/16-18	12 ± 2
	1/2-13	16 ± 2
	5/8-11	20 ± 2
	7/8-9	35 ± 5

6. Proceed to “Piping and Electrical Connections” section.

DeZURIK

ASCO 4V 4-Way Pilot Valve used with Diaphragm and Cylinder Actuators

Installation (Continued)

Mounting on Compact Pneumatic Actuators

1. Refer to the assembly drawing.
2. Mount the bracket to the solenoid valve with the included screws.
3. Mount the bracket to the top of the actuator as shown in the assembly drawing.
4. Proceed to “Piping and Electrical Connections” section.

Piping and Electrical Connections

1. Install the piping following the appropriate procedure:
 - Hose
 - a. Refer to the assembly drawing for piping requirements.
 - b. Make threaded connections first, and use liquid or paste thread sealant—do not use Teflon[®] tape.
 - c. Cut hose to length and install a swivel connector on one end of each hose.
Note: To prevent kinks in hose, allow for at least 2" bend radii.
 - d. Push ends of hose firmly on the barbed connections.
Note: Ports are marked “A” and “B”—reversing the connections will cause reverse operation.
 - Pipe/Tubing
 - a. Refer to the assembly drawing for piping requirements.
 - b. Make the threaded connections and seal with a liquid or paste thread sealant—do not use Teflon[®] tape.
 - c. Cut and bend pipe as shown in the installation drawing.
 - d. Connect the pipe with flared fittings.
Note: Ports are marked “A” and “B”—reversing the connections will cause reverse operation.



CAUTION!

Applying the wrong voltage/hertz can cause the solenoid coil to overheat and malfunction. Verify that the supply voltage/hertz matches the rating on the pilot valve before applying power. If pilot valve is supplied with dual coils, do not energize both solenoids simultaneously.

2. Check the electric rating on data plate and connect the proper power to solenoid.
-



CAUTION!

If pilot valve is supplied with dual coils, do not energize both solenoids simultaneously.

Reversing the Action

The valve assembly may be piped to open or to close the valve when the solenoid is energized. To reverse the action, follow these steps:

1. Close the valve.
2. If the actuator is powered, disconnect and lock out the pneumatic, hydraulic, or electrical power to prevent accidental operation of the actuator.



WARNING!

Moving parts from accidental operation of power actuator can cause personal injury or equipment damage. Disconnect and lock out power to the actuator before servicing.

3. Relieve the pressure from the actuator port(s).
4. Reverse the actuator piping at the pilot valve.
5. If the actuator is a powered actuator, reconnect power to the actuator.

Operating The Manual Override (8342 Series)

The optional manual override can be used to operate the valve when electrical power is not available.

To operate the manual override, follow these steps:

1. Pull the red knob out, turn it 30 degrees in either direction and release it.

Note: It will not go in as far as it was initially. This will provide the same action as energizing the solenoid.

2. To return the manual override to electrical control, pull out the red knob, turn it 30 degrees in either direction and release it.

Operating The Optional Manual Override (8344 Series)

The optional manual override can be used to operate the valve when electrical power is not available.

To operate the manual override, follow these steps:

1. Rotate stem just below solenoid enclosure clockwise.

Note: This will provide the same action as energizing the solenoid.

2. To return the manual override to electrical control, rotate stem counter clockwise.

DeZURIK

ASCO 4V 4-Way Pilot Valve used with Diaphragm and Cylinder Actuators

Speed Controls

When the pilot valve is equipped with the optional speed controls, they are positioned as shown in Figure 1. The speed controls are set at the factory to provide slow actuator operation. Turning the speed controls clockwise will increase the speed of actuator operation. When changing the speed of operation, adjust the speed controls slightly, then check the new speed of operation. Repeat the procedure until the desired speed is obtained.

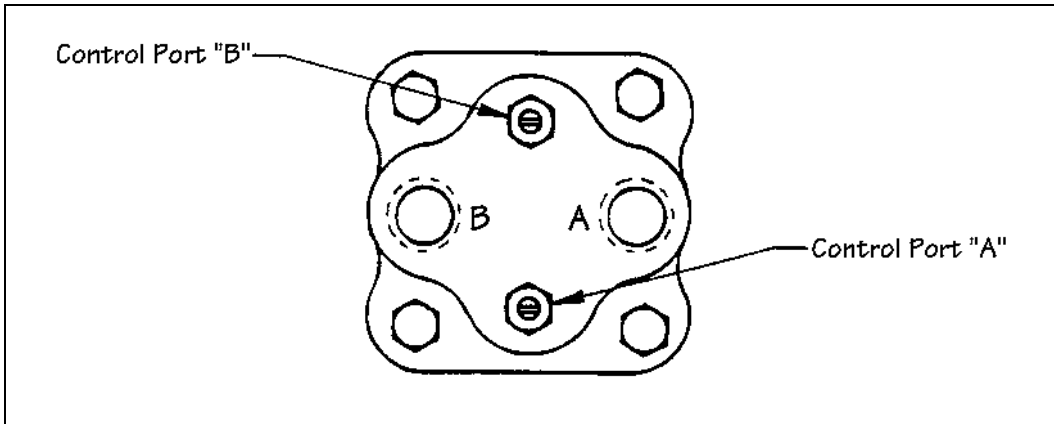


Figure 1 – Speed Control Ports

Limited Warranty

DeZURIK, Inc. ("Seller") manufactured products, auxiliaries and parts thereof that we manufacture for a period of twenty-four (24) months from date of shipment from Seller's factory, are warranted to the original purchaser only against defective workmanship and material, but only if properly stored, installed, operated, and serviced in accordance with Seller's recommendations and instructions.

For items proven to be defective within the warranty period, your exclusive remedy under this limited warranty is repair or replacement of the defective item, at Seller's option, FCA Incoterms 2020 Seller's facility with removal, transportation, and installation at your cost.

Products or parts manufactured by others but furnished by Seller are not covered by this limited warranty. Seller may provide repair or replacement for other's products or parts only to the extent provided in and honored by the original manufacturer's warranty to Seller, in each case subject to the limitations contained in the original manufacturer's warranty.

No claim for transportation, labor, or special or consequential damages or any other loss, cost or damage is being provided in this limited warranty. You shall be solely responsible for determining suitability for use and in no event shall Seller be liable in this respect.

This limited warranty does not warrant that any Seller product or part is resistant to corrosion, erosion, abrasion or other sources of failure, nor does Seller warrant a minimum length of service.

Your failure to give written notice to us of any alleged defect under this warranty within twenty (20) days of its discovery, or attempts by someone other than Seller or its authorized representatives to remedy the alleged defects therein, or failure to return product or parts for repair or replacement as herein provided, or failure to store, install, or operate said products and parts according to the recommendations and instructions furnished by Seller shall be a waiver by you of all rights under this limited warranty.

This limited warranty is voided by any misuse, modification, abuse or alteration of Seller's product or part, accident, fire, flood or other Act of God, or your failure to pay entire contract price when due.

The foregoing limited warranty shall be null and void if, after shipment from our factory, the item is modified in any way or a component of another manufacturer, such as but not limited to; an actuator is attached to the item by anyone other than a Seller factory authorized service personnel.

All orders accepted shall be deemed accepted subject to this limited warranty, which shall be exclusive of any other or previous warranty, and this shall be the only effective guarantee or warranty binding on Seller, despite anything to the contrary contained in the purchase order or represented by any agent or employee of Seller in writing or otherwise, notwithstanding, including but not limited to implied warranties.

THE FOREGOING REPAIR AND REPLACEMENT LIMITED WARRANTY IS IN LIEU OF ALL OTHER WARRANTIES, OBLIGATIONS AND LIABILITIES, INCLUDING, BUT NOT LIMITED TO, ALL WARRANTIES OF FITNESS FOR A PARTICULAR PURPOSE OR OF MERCHANTABILITY OR OTHERWISE, EXPRESSED OR IMPLIED IN FACT OR BY LAW, AND STATE SELLER'S ENTIRE AND EXCLUSIVE LIABILITY AND YOUR EXCLUSIVE REMEDY FOR ANY CLAIM IN CONNECTION WITH THE SALE AND FURNISHING OF SERVICES, GOODS OR PARTS, THEIR DESIGN, SUITABILITY FOR USE, INSTALLATION OR OPERATIONS. NEITHER ANY PERFORMANCE OR OTHER CONDUCT, NOR ANY ORAL OR WRITTEN INFORMATION, STATEMENT, OR ADVICE PREPARED BY SELLER OR ANY OF OUR EMPLOYEES OR AGENTS WILL CREATE A WARRANTY, OR IN ANY WAY INCREASE THE SCOPE OR DURATION OF THE LIMITED WARRANTY.

Disclaimer

Metric fasteners should not be used with ASME Class 150/300 bolt holes and flange bolt patterns. If you use metric fasteners with ASME Class 150/300 bolt holes and flange bolt patterns, it may lead to product failure, injury, and loss of life. DeZURIK Inc. disclaims all liability associated with the use of metric fasteners with ASME Class 150/300 bolt holes and flange patterns, including but not limited to personal injury, loss of life, loss of product, production time, equipment, property damage, lost profits, consequential damages of any kind and environment damage and/or cleanup. Use of metric fasteners with ASME Class 150/300 bolt holes and flange bolt patterns is a misuse that voids all warranties and contractual assurances. If you use metric fasteners with ASME Class 150/300 bolt holes and flange bolt patterns, you do so at your sole risk and any liability associated with such use shall not be the responsibility of DeZURIK, Inc. In addition to the foregoing, DeZURIK's Manufacturer's Conditions apply.

Limitation of Liability

IN NO EVENT SHALL SELLER BE LIABLE FOR ANY DIRECT, INDIRECT, SPECIAL, PUNITIVE, EXEMPLARY, OR CONSEQUENTIAL DAMAGES (INCLUDING, BUT NOT LIMITED TO; DAMAGE TO OR LOSS OF OTHER PROPERTY OR EQUIPMENT, BUSINESS INTERRUPTION, COST OF SUBSTITUTE PRODUCTS, LOSS OF TIME, LOSS OF PROFITS OR REVENUE, COST OF CAPTIAL, LOSS OF USE, OR DIMINUTION IN VALUE) WHATSOEVER, AND SELLER'S LIABILITY, UNDER NO CIRCUMSTANCES, WILL EXCEED THE CONTRACT PRICE FOR THE GOODS AND/OR SERVICES FOR WHICH LIABILITY IS CLAIMED. ANY ACTION FOR BREACH OF CONTRACT BY YOU, OTHER THAN RIGHTS RESPECTING OUR LIMITED WARRANTY DESCRIBED ABOVE, MUST BE COMMENCED WITHIN 12 MONTHS AFTER THE DATE OF SALE.

Sales and Service

For information about our worldwide locations, approvals, certifications and local representative:

Web site: www.dezurik.com E-Mail: info@dezurik.com



250 Riverside Ave. N., Sartell, MN 56377 • Phone: 320-259-2000 • Fax: 320-259-2227

DeZURIK, Inc. reserves the right to incorporate our latest design and material changes without notice or obligation.

Design features, materials of construction and dimensional data, as described in this manual, are provided for your information only and should not be relied upon unless confirmed in writing by DeZURIK, Inc. Certified drawings are available upon request.