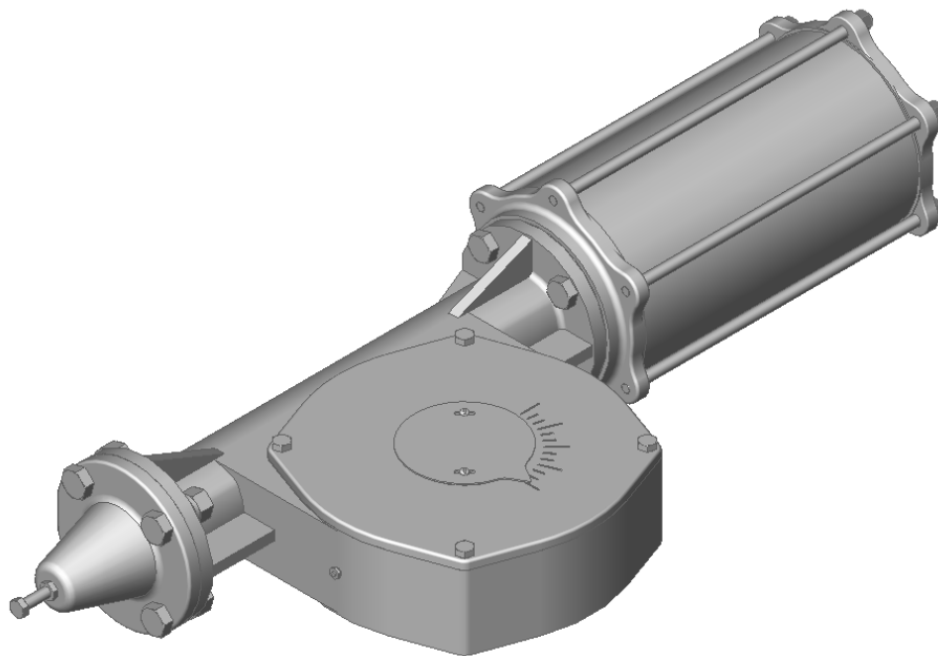


DEZURIK G-SERIES CYLINDER ACTUATOR



Instruction **D10475**
August 2012

Instructions

These instructions are for use by personnel who are responsible for the installation, operation and maintenance of DeZURIK valves, actuators or accessories.

Safety Messages

All safety messages in the instructions are identified by a general warning sign and the signal word CAUTION, WARNING or DANGER. These messages indicate procedures to avoid injury or death.

Safety label(s) on the product indicate hazards that can cause injury or death. If a safety label becomes difficult to see or read, or if a label has been removed, please contact DeZURIK for replacement label(s).

⚠WARNING

Personnel involved in the installation or maintenance of valves should be constantly alert to potential emission of pipeline material and take appropriate safety precautions. Always wear suitable protection when dealing with hazardous pipeline materials. Handle valves which have been removed from service with suitable protection for any potential pipeline material in the valve.

Inspection

Your DeZURIK product has been packaged to provide protection during shipment; however, items can be damaged in transport. Carefully inspect the unit for damage upon arrival and file a claim with the carrier if damage is apparent.

Parts

Replaceable wear parts are listed on the assembly drawing. These parts can be stocked to minimize downtime. Order parts from your local DeZURIK sales representative or directly from DeZURIK. When ordering parts please provide the following information:

If the valve has a data plate: please include the 7-digit part number with either 4-digit revision number (example: 9999999R000) or 8-digit serial number (example: S1900001) whichever is applicable. The data plate will be attached to the valve assembly. Also, include the part name, the assembly drawing number, the balloon number and the quantity stated on the assembly drawing.

If there isn't any data plate visible on the valve: please include valve model number, part name, and item number from the assembly drawing. You may contact your local DeZURIK Representative to help you identify your valve.

DeZURIK Service

DeZURIK service personnel are available to maintain and repair all DeZURIK products. DeZURIK also offers customized training programs and consultation services. For more information, contact your local DeZURIK sales representative or visit our website at DeZURIK.com.

Table of Contents

Description - - - - -	4
Air Supply - - - - -	4
Lubrication - - - - -	4
Actuator Identification - - - - -	4
Adjusting Position Stops	
<i>Adjusting the Open Position Stop</i> - - - - -	5
<i>Adjusting the Closed Position Stop</i> - - - - -	6
Removing Actuator - - - - -	6
Installing Actuator - - - - -	7
Removing Cylinder - - - - -	7
Installing Cylinder - - - - -	8
Disassembling Actuator - - - - -	9
Reassembling Actuator - - - - -	10
Changing Mounting Positions - - - - -	12
Troubleshooting - - - - -	12

DeZURIK

G-Series Cylinder Actuator

Description

The G-Series Cylinder Actuator is a totally enclosed, quarter turn, pneumatic operated actuator.

Air Supply

The supply pressure to the cylinder should be between 50 and 100 psi (344 and 689 kPa).

Lubrication

The G-Series Cylinder Actuator has been lubricated at the factory and requires no routine lubrication. If the actuator is disassembled, lubricate the rack, rack guide, gear sector and bearings using one of these lubricants:

- Keystone Zeniplex-1 (**recommended**)
- Amoco Amolith Grease #1-EP (alternate)
- Amsoil GHD (alternate)
- Mobil Mobilux EP 1 (alternate)
- Petro-Canada Vultrex MPG EP 1 (alternate)
- Shell Alvania EP 1 (alternate)
- Texaco Multifak EP 1 (alternate)

If the cylinder is disassembled, it must be lubricated as described in the cylinder instructions.

Actuator Identification

The G-Series Cylinder Actuator is available in two sizes: 6A and 12A. See Figure 1 for actuator identification.

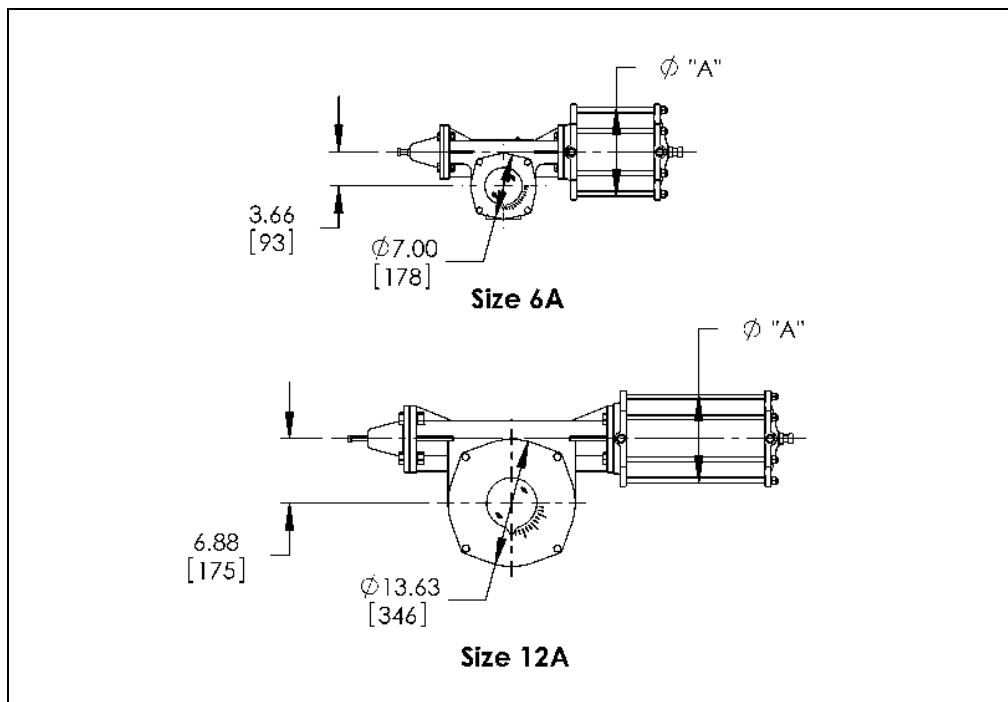


Figure 1 - Actuator Identification

To determine the actuator size, measure the diameter of the cover - see Figure 1. To determine the cylinder size, measure the diameter of the cylinder—see Figure 1 and Table A.

Actuator Identification *(Continued)*

Table A: Cylinder Identification

Cylinder	Ø "A"	
	IN	MM
C4	4.5	115
C6	6.5	165
C8	8.5	215
C10	10.5	265

Adjusting Position Stops

The G-Series Cylinder Actuators have both open and closed position stops. See Figure 2 for position stop identification.

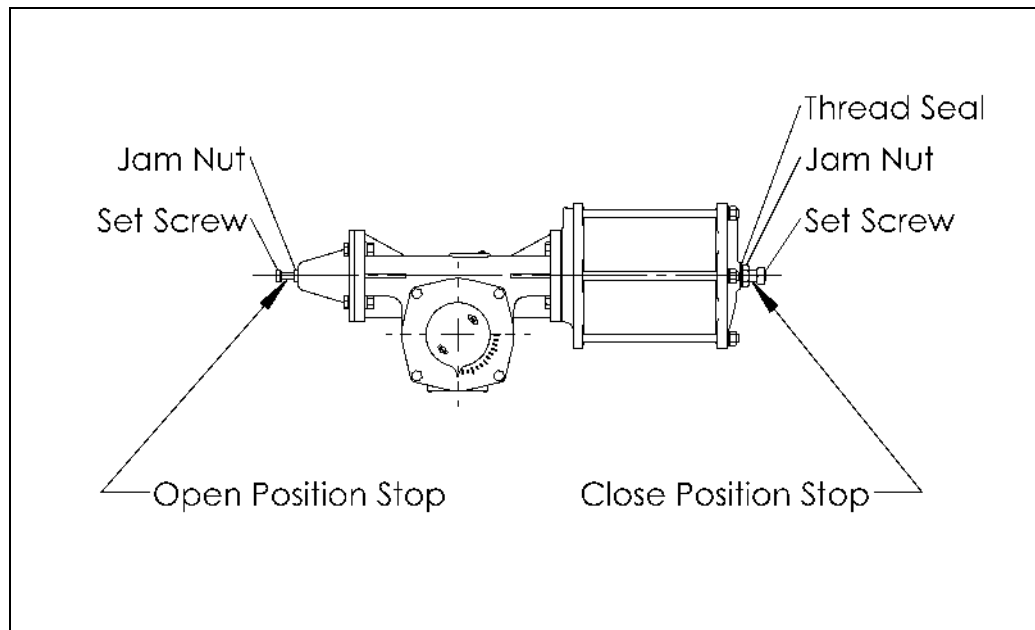


Figure 2 – Position Stops

The position stops are factory set and do not require adjustment unless the actuator has been disassembled or actuator orientation has been changed.

Adjusting the Open Position Stop

On 6A and 12A cylinder actuators, the Open Position Stop is located in the end of the extension cap opposite the cylinder. See Figure 2.

The actuator must be mounted before adjusting the position stop.

1. Loosen the Open Position jam nut.
2. Adjust the Open Position screw to the proper position. Counterclockwise rotation of screw increases the stroke, clockwise rotation of screw decreases the stroke.
3. Lock the Open Position screw in place with the jam nut.

DeZURIK

G-Series Cylinder Actuator

Adjusting Position Stops *(Continued)*

Adjusting Closed Position Stop

On 6A and 12A cylinder actuators, the Closed Position Stop is located in the end of the cylinder. See Figure 2.

The actuator must be mounted before adjusting the position stop.

1. Loosen the Closed Position jam nut.
2. Adjust the Close Position screw to the proper position. Counterclockwise rotation of screw increases the stroke, clockwise rotation of screw decreases the stroke.
3. Lock the Closed Position screw in place with the jam nut.

NOTE: Make sure the thread seal is positioned properly, and lock the setscrew in place with the jam nut.

Removing Actuator

1. Discontinue flow, relieve pipeline pressure and close valve.



WARNING!

Accidental operation of power actuator can cause personal injury or equipment damage. Disconnect and lock out power to actuator before servicing.

2. Disconnect and lock out the pneumatic power to prevent accidental operation of the actuator.
3. Scribe corresponding lines on the adaptor plate (P1) and actuator housing (B1) to help align them during installation.
4. Remove screws (P2) and lockwashers (P3) and lift actuator assembly off valve. See Figure 3 for connecting parts identification.

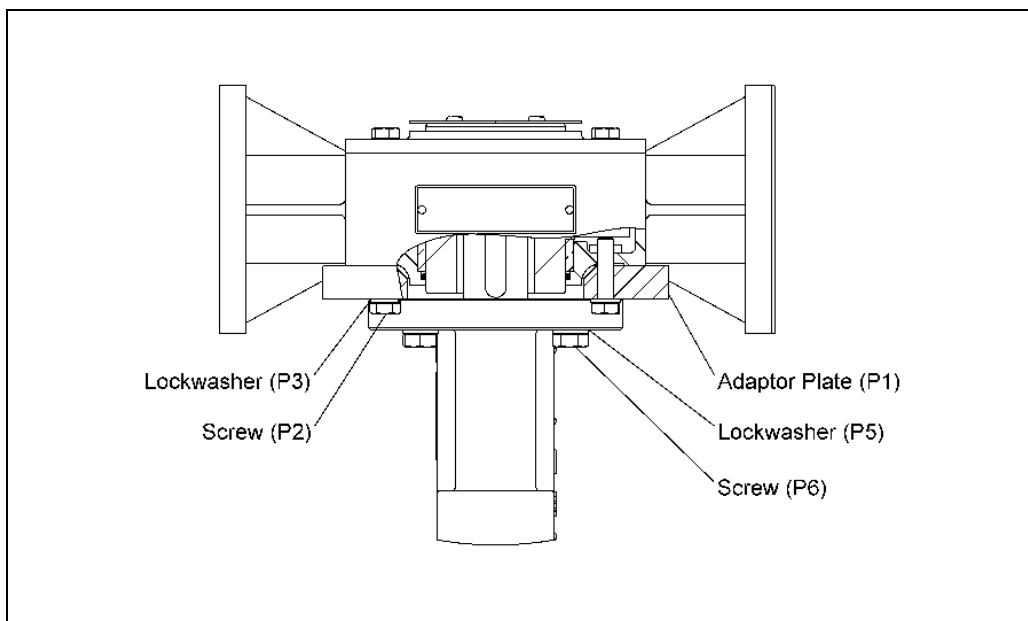


Figure 3 – Connecting Parts Identification

Installing Actuator

1. Line up the scribe marks on the valve and actuator made during actuator removal, then set the actuator on the valve so that the valve shaft slides into the actuator gear sector.
2. Fasten the actuator assembly to the adaptor plate (P1) with lockwashers (P3) and screws (P2). See Figure 3 for connecting parts identification.
3. Place the key into the key slot in the valve shaft and gear.
4. Secure key by staking with a center-punch on the end of the shaft. Stake on both sides of the shaft as shown in Figure 4.

Note: Do not deform the outside diameter of the shaft.

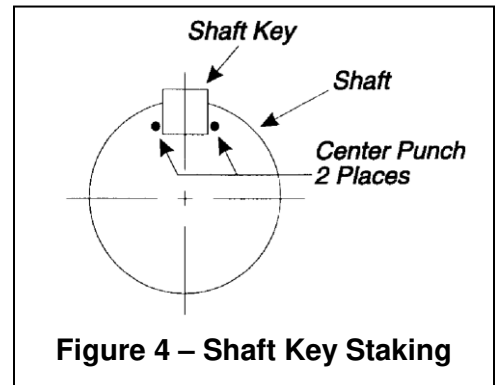


Figure 4 – Shaft Key Staking

Removing Cylinder

This procedure can be performed with the actuator installed on the valve or removed.

1. Discontinue flow and relieve pipeline pressure.
2. Apply air pressure to the port in the cylinder cap (the end farthest from the actuator housing) until the valve has moved to the end of its stroke.



WARNING!

**Accidental operation of power actuator can cause personal injury or equipment damage.
Disconnect and lock out power to actuator before servicing.**

3. Disconnect and lock out the pneumatic power to prevent accidental operation of the actuator.
4. Disconnect the tubing from both cylinder ports.
5. Remove the screws (B23), nuts (B24), lockwashers (B28) and stop cap (B29) from the housing (B1).
6. Remove the cap nut (B25), jam nut (B22) and spring washers (B21) from the end of the rack rod (B6).
7. Remove the screws (B27) fastening the cylinder assembly to the housing (B1), and carefully remove the cylinder assembly by sliding it away from the actuator until the rack rod clears the housing.
8. See Cylinder Instructions for details on rebuilding the cylinder.

Installing Cylinder

1. Scrape the old gasket material from the actuator housing and cylinder head, then place a new gasket (B26) on the cylinder head.
2. Install the cylinder/rack rod assembly by sliding the rack rod through the rack (B4) and fasten the cylinder to the housing (B1) with screws (B27).

NOTE: If the rack rod is not attached to the cylinder assembly, clean the threads of both the rack rod and the cylinder shaft, then apply Loctite to the cylinder shaft threads and screw the rack rod onto the cylinder shaft.

3. Slide the spring washers (B21) and nuts onto the rack rod. See Figure 8 for spring washer arrangement.
4. Screw the jam nut (B22) onto the rack rod (B6) until the spring washers are completely compressed, then loosen the jam nut just until the spring washers return to normal shape.
5. Screw the cap nut (B25) onto the rack rod (B6) and tighten the two nuts against each other.
6. Scrape old gasket material from the housing (B1) and stop cap (B29).
7. Attach a new gasket (B26) and the stop cap (B29) to the housing (B1) with screws (B23), nuts (B24) and lockwashers (B28).
8. Re-connect the tubing to both cylinder ports and turn on pneumatic power to the actuator.
9. Adjust the open and closed position stops described in the “*Adjusting Position Stops*” section.

Disassembling Actuator

See Figure 5 for actuator parts identification.

1. Discontinue flow and relieve pipeline pressure and place the actuator in the open position.



WARNING!

**Accidental operation of power actuator can cause personal injury or equipment damage.
Disconnect and lock out power to actuator before servicing.**

2. Disconnect and lock out the pneumatic power to prevent accidental operation of the actuator. Disconnect the tubing from the cylinder.
3. Remove the screws (B23), nuts (B24), lockwashers (B28) and stop cap (B29) from the actuator housing (B1).
4. Remove the cap nut (B25), jam nut (B22) and spacer (B21) from the end of the rack rod (B6).
5. Remove the screws (B27) fastening the cylinder assembly to the actuator housing (B1), and carefully remove the cylinder assembly and rack rod (B6) by sliding it away from the actuator until the rack rod clears the actuator housing.
6. Remove the screws (B18) fastening the pointer (B17) to the gear (B3) and remove pointer.
7. Scribe corresponding lines on the cover (B2) and housing (B1) to be used for alignment during assembly, then remove the screws (B13) fastening the cover to the housing and remove cover.
8. Remove the gear (B3) through the top of the housing (B1) and the rack (B4) through the stop cap (B29) end of the housing.
9. Remove the screws (P2) and lockwashers (P3) and lift the actuator assembly off valve. See Figure 3 for connecting parts identification.
10. Remove the rack bearing (B7) from the housing (B1).

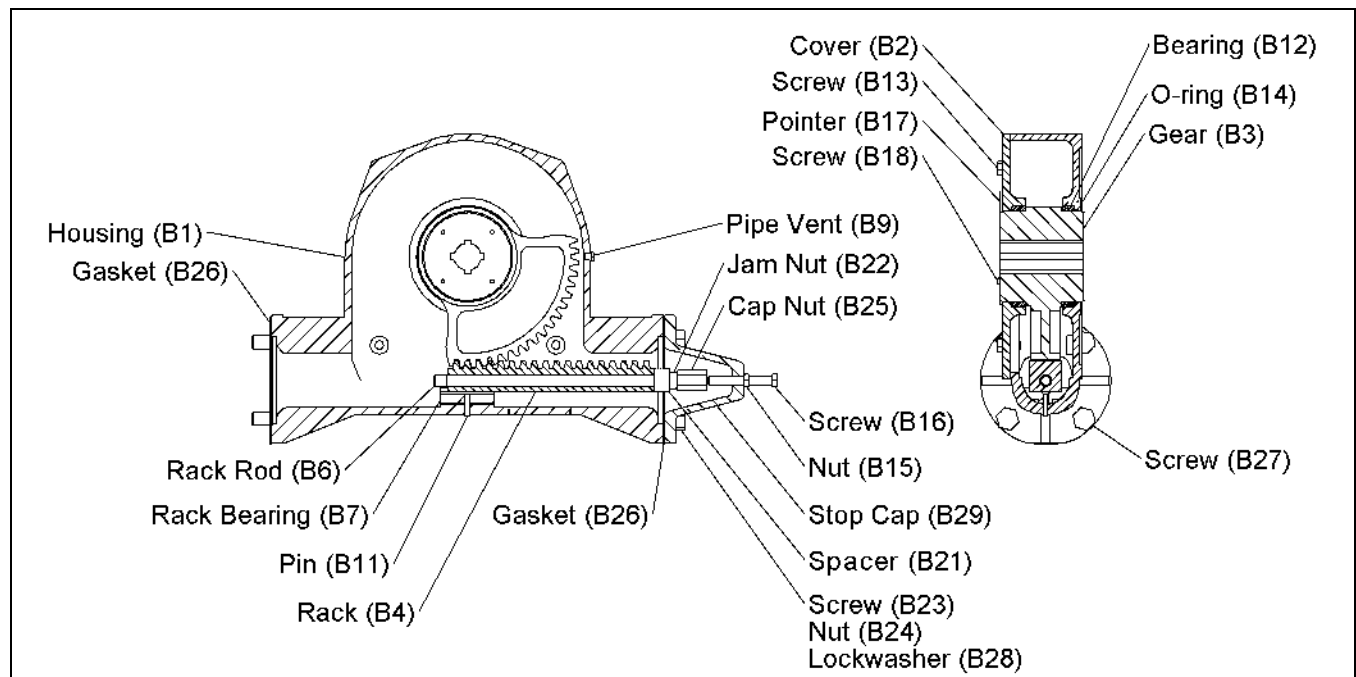


Figure 5 – Actuator Parts Identification

Reassembling Actuator

Install new o-rings (B14) in the housing (B1) and cover (B2). See Figure 6 for proper placement.

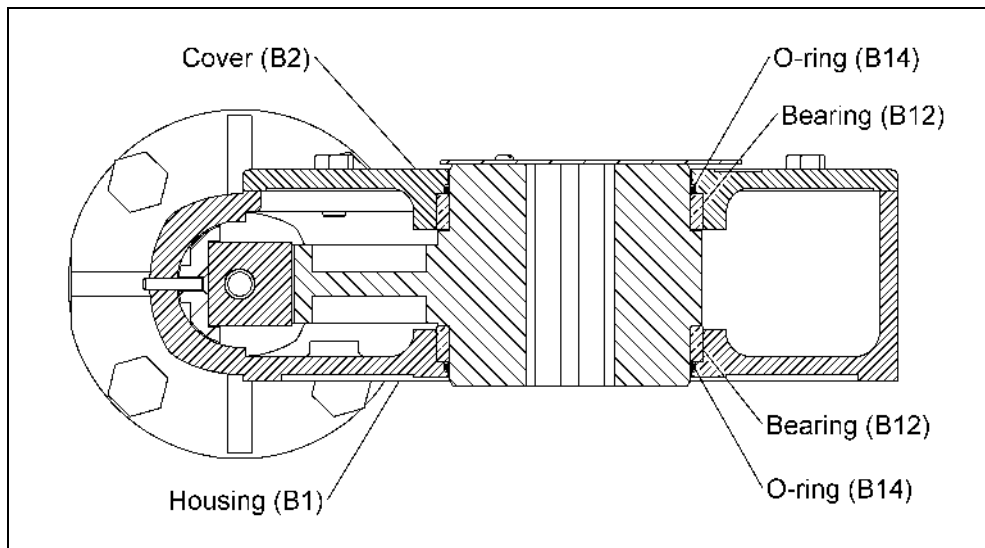


Figure 6 – Bearing and O-ring Locations

See Figure 5 for part identification.

1. Scrape old gasket material from the housing (B1), cover (B2) and stop cap (B29).
 2. Line up the scribe marks on the adaptor plate (P1) and actuator housing (B1) made during actuator removal, then set the actuator housing on the adaptor plate.
 3. Fasten the actuator housing (B1) to the adaptor plate (P1) using screws (P2) and lockwashers (P3).
 4. Slide the rack bearing (B7) on to the pin (B11) in housing (B1).
- Note:** Use a new rack bearing if existing bearing is worn.
5. Apply a liberal amount of lubricant to the teeth and back of the rack (B4) which contacts the rack bearing (B7) and install the rack in the housing (B1).
 6. Apply a liberal amount of lubricant to the teeth and journals of the gear (B3), then place the gear in the housing (B1) and carefully align the teeth with the rack as shown in Figure 7.

NOTE: It may be necessary to loosen the adapter mounting screws and move the housing a small amount to align the gears. Be sure to retighten the mounting screws after aligning the gears.

Reassembling Actuator (Continued)

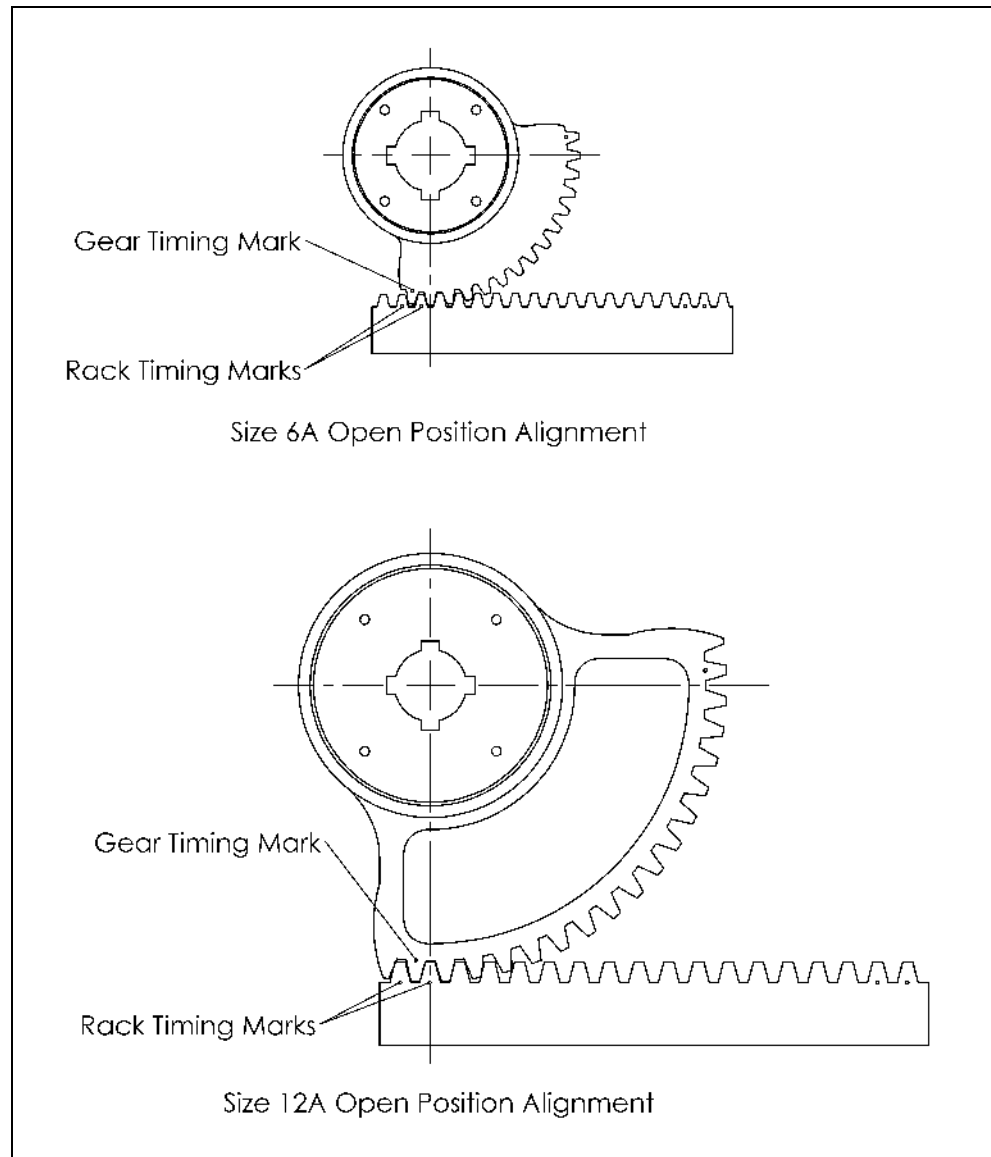


Figure 7 – Gear and Rack Alignment

7. Place a new gasket (B26) on the cylinder head.
8. Install the cylinder/rack rod assembly by sliding the rack rod through the rack (B4) and fasten the cylinder to the housing (B1) with screws (B27).

NOTE: If the rack rod is not attached to the cylinder assembly, clean the threads of both the rack rod and the cylinder shaft, then apply Loctite to the cylinder shaft threads and screw the rack rod onto the cylinder shaft.

9. Slide the spacer (B21) onto the rack rod (B6) and screw the jam nut (B22) onto the rack rod (B6) until the spacer is tight against the rack (B4).
10. Screw the cap nut (B25) onto the rack rod (B6) and tighten the two nuts against each other.

DeZURIK

G-Series Cylinder Actuator

Reassembling Actuator *(Continued)*

11. Scrape old gasket material from the housing (B1) and stop cap (B29).
12. Attach a new gasket (B26) and the stop cap (B29) to the housing (B1) with screws (B23), nuts (B24) and lockwashers (B28).
13. Apply a thin bead of silicone sealant Dow RTV-732 to the cover (B2). Line up the scribe marks on the cover and housing (B1) and attach the cover with screws (B13).
14. Attach the pointer (B17) to the gear (G3) with screws (B18) pointing to the open position mark on the cover (B2).
15. Re-connect the tubing to both cylinder ports and turn on pneumatic power to the actuator.
16. Adjust the open and closed position stops described in the “*Adjusting Position Stops*” section.

Changing Mounting Positions

The actuator can be mounted in 90° increments around the valve shaft.

1. Discontinue flow, relieve pipeline pressure and close valve.



WARNING!

Accidental operation of power actuator can cause personal injury or equipment damage. Disconnect and lock out power to actuator before servicing.

2. Remove the actuator from the valve. See “*Removing Actuator*” section.
3. Rotate the actuator to the desired position.
4. Install the actuator on the valve. See “*Installing Actuator*” section.

Troubleshooting

Condition	Possible Cause	Corrective Action
Actuator closes to wrong position	Closed position stop is set incorrectly	Adjust closed position stop. See <i>Adjusting Position Stops</i> section
Actuator opens to wrong position	Open position stop is set incorrectly	Adjust open position stop. See <i>Adjusting Position Stops</i> section
Actuator will not fully operate valve	Cylinder pressure is low	Increase cylinder pressure. Do not exceed 100 psi (69 kPa).
	Piston seal in cylinder is leaking	Replace piston seal(s). See Cylinder instructions.
	Pipeline obstruction in valve is preventing closure	Remove obstruction
Actuator rotates wrong direction	Air connections to cylinder are incorrect	Reverse air connections to cylinder

Limited Warranty

DeZURIK, Inc. ("Seller") manufactured products, auxiliaries and parts thereof that we manufacture for a period of twenty-four (24) months from date of shipment from Seller's factory, are warranted to the original purchaser only against defective workmanship and material, but only if properly stored, installed, operated, and serviced in accordance with Seller's recommendations and instructions.

For items proven to be defective within the warranty period, your exclusive remedy under this limited warranty is repair or replacement of the defective item, at Seller's option, FCA Incoterms 2020 Seller's facility with removal, transportation, and installation at your cost.

Products or parts manufactured by others but furnished by Seller are not covered by this limited warranty. Seller may provide repair or replacement for other's products or parts only to the extent provided in and honored by the original manufacturer's warranty to Seller, in each case subject to the limitations contained in the original manufacturer's warranty.

No claim for transportation, labor, or special or consequential damages or any other loss, cost or damage is being provided in this limited warranty. You shall be solely responsible for determining suitability for use and in no event shall Seller be liable in this respect.

This limited warranty does not warrant that any Seller product or part is resistant to corrosion, erosion, abrasion or other sources of failure, nor does Seller warrant a minimum length of service.

Your failure to give written notice to us of any alleged defect under this warranty within twenty (20) days of its discovery, or attempts by someone other than Seller or its authorized representatives to remedy the alleged defects therein, or failure to return product or parts for repair or replacement as herein provided, or failure to store, install, or operate said products and parts according to the recommendations and instructions furnished by Seller shall be a waiver by you of all rights under this limited warranty.

This limited warranty is voided by any misuse, modification, abuse or alteration of Seller's product or part, accident, fire, flood or other Act of God, or your failure to pay entire contract price when due.

The foregoing limited warranty shall be null and void if, after shipment from our factory, the item is modified in any way or a component of another manufacturer, such as but not limited to; an actuator is attached to the item by anyone other than a Seller factory authorized service personnel.

All orders accepted shall be deemed accepted subject to this limited warranty, which shall be exclusive of any other or previous warranty, and this shall be the only effective guarantee or warranty binding on Seller, despite anything to the contrary contained in the purchase order or represented by any agent or employee of Seller in writing or otherwise, notwithstanding, including but not limited to implied warranties.

THE FOREGOING REPAIR AND REPLACEMENT LIMITED WARRANTY IS IN LIEU OF ALL OTHER WARRANTIES, OBLIGATIONS AND LIABILITIES, INCLUDING, BUT NOT LIMITED TO, ALL WARRANTIES OF FITNESS FOR A PARTICULAR PURPOSE OR OF MERCHANTABILITY OR OTHERWISE, EXPRESSED OR IMPLIED IN FACT OR BY LAW, AND STATE SELLER'S ENTIRE AND EXCLUSIVE LIABILITY AND YOUR EXCLUSIVE REMEDY FOR ANY CLAIM IN CONNECTION WITH THE SALE AND FURNISHING OF SERVICES, GOODS OR PARTS, THEIR DESIGN, SUITABILITY FOR USE, INSTALLATION OR OPERATIONS. NEITHER ANY PERFORMANCE OR OTHER CONDUCT, NOR ANY ORAL OR WRITTEN INFORMATION, STATEMENT, OR ADVICE PREPARED BY SELLER OR ANY OF OUR EMPLOYEES OR AGENTS WILL CREATE A WARRANTY, OR IN ANY WAY INCREASE THE SCOPE OR DURATION OF THE LIMITED WARRANTY.

Disclaimer

Metric fasteners should not be used with ASME Class 150/300 bolt holes and flange bolt patterns. If you use metric fasteners with ASME Class 150/300 bolt holes and flange bolt patterns, it may lead to product failure, injury, and loss of life. DeZURIK Inc. disclaims all liability associated with the use of metric fasteners with ASME Class 150/300 bolt holes and flange patterns, including but not limited to personal injury, loss of life, loss of product, production time, equipment, property damage, lost profits, consequential damages of any kind and environment damage and/or cleanup. Use of metric fasteners with ASME Class 150/300 bolt holes and flange bolt patterns is a misuse that voids all warranties and contractual assurances. If you use metric fasteners with ASME Class 150/300 bolt holes and flange bolt patterns, you do so at your sole risk and any liability associated with such use shall not be the responsibility of DeZURIK, Inc. In addition to the foregoing, DeZURIK's Manufacturer's Conditions apply.

Limitation of Liability

IN NO EVENT SHALL SELLER BE LIABLE FOR ANY DIRECT, INDIRECT, SPECIAL, PUNITIVE, EXEMPLARY, OR CONSEQUENTIAL DAMAGES (INCLUDING, BUT NOT LIMITED TO; DAMAGE TO OR LOSS OF OTHER PROPERTY OR EQUIPMENT, BUSINESS INTERRUPTION, COST OF SUBSTITUTE PRODUCTS, LOSS OF TIME, LOSS OF PROFITS OR REVENUE, COST OF CAPTIAL, LOSS OF USE, OR DIMINUTION IN VALUE) WHATSOEVER, AND SELLER'S LIABILITY, UNDER NO CIRCUMSTANCES, WILL EXCEED THE CONTRACT PRICE FOR THE GOODS AND/OR SERVICES FOR WHICH LIABILITY IS CLAIMED. ANY ACTION FOR BREACH OF CONTRACT BY YOU, OTHER THAN RIGHTS RESPECTING OUR LIMITED WARRANTY DESCRIBED ABOVE, MUST BE COMMENCED WITHIN 12 MONTHS AFTER THE DATE OF SALE.

Sales and Service

For information about our worldwide locations, approvals, certifications and local representative:

Web site: www.dezurik.com E-Mail: info@dezurik.com



250 Riverside Ave. N., Sartell, MN 56377 • Phone: 320-259-2000 • Fax: 320-259-2227

DeZURIK, Inc. reserves the right to incorporate our latest design and material changes without notice or obligation.

Design features, materials of construction and dimensional data, as described in this manual, are provided for your information only and should not be relied upon unless confirmed in writing by DeZURIK, Inc. Certified drawings are available upon request.