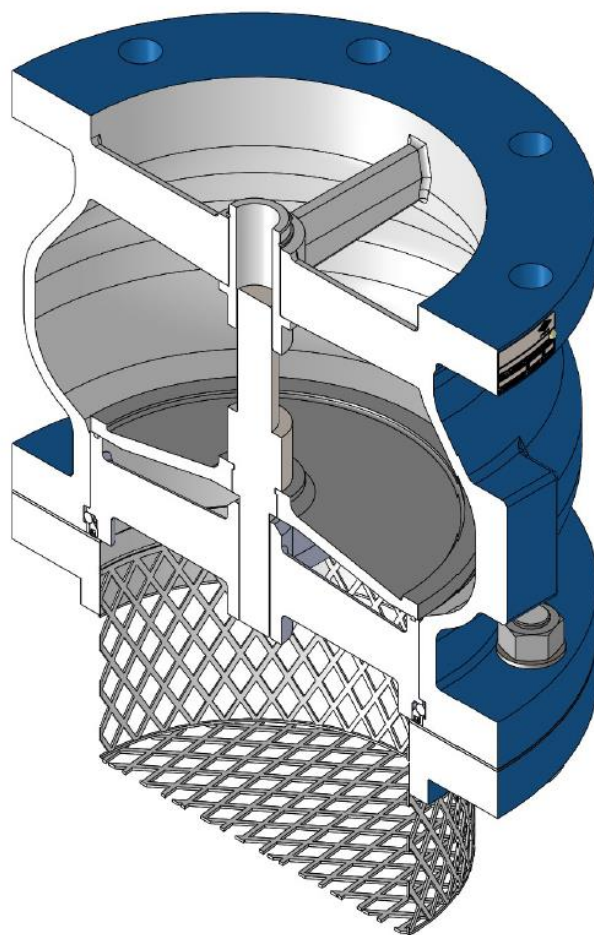


APCO FFF-1400A FULL FLOW FOOT VALVES



Instruction **D12054**
March 2023

Instructions

These instructions are for use by personnel who are responsible for the installation, operation and maintenance of DeZURIK valves, actuators or accessories.

Safety Messages

All safety messages in the instructions are identified by a general warning sign and the signal word CAUTION, WARNING or DANGER. These messages indicate procedures to avoid injury or death.

Safety label(s) on the product indicate hazards that can cause injury or death. If a safety label becomes difficult to see or read, or if a label has been removed, please contact DeZURIK for replacement label(s).

⚠WARNING

Personnel involved in the installation or maintenance of valves should be constantly alert to potential emission of pipeline material and take appropriate safety precautions. Always wear suitable protection when dealing with hazardous pipeline materials. Handle valves which have been removed from service with suitable protection for any potential pipeline material in the valve.

Inspection

Your DeZURIK product has been packaged to provide protection during shipment; however, items can be damaged in transport. Carefully inspect the unit for damage upon arrival and file a claim with the carrier if damage is apparent.

Parts

Replaceable wear parts are listed on the assembly drawing. These parts can be stocked to minimize downtime. Order parts from your local DeZURIK sales representative or directly from DeZURIK. When ordering parts please provide the following information:

If the valve has a data plate: please include the 7-digit part number with either 4-digit revision number (example: 9999999R000) or 8-digit serial number (example: S1900001) whichever is applicable. The data plate will be attached to the valve assembly. Also, include the part name, the assembly drawing number, the balloon number and the quantity stated on the assembly drawing.

If there isn't any data plate visible on the valve: please include valve model number, part name, and item number from the assembly drawing. You may contact your local DeZURIK Representative to help you identify your valve.

DeZURIK Service

DeZURIK service personnel are available to maintain and repair all DeZURIK products. DeZURIK also offers customized training programs and consultation services. For more information, contact your local DeZURIK sales representative or visit our website at DeZURIK.com.

Table of Contents

Description	4
Handling and Storage	4
Installation.....	4
Fusion Bonded Epoxy Coated Valves.....	4
Maintenance	5
Disassembly Procedure	5
Assembly Procedure.....	5
Installing or Replacing the Resilient Seat (S08).....	5
Operation	6
Drawing.....	6
<i>Figure 1: APCO FFF-1400A Full Flow Foot Valve</i>	6
Troubleshooting	7

Description

The FFF-1400A, Full Flow Foot Valve is a form of check valve installed at the bottom of the suction line and inside the wet well. These valves are utilized to maintain prime on a single centrifugal pump. When the pump is engaged, the FFF-1400A automatically opens and allows fluid to flow through the pump. When the pump is powered down, the FFF-1400A automatically closes and does not allow flow in the reverse direction.

Handling and Storage

Lifting the valve improperly may damage it. Do not fasten lifting devices to piping or attached components. Lift the valve with slings, chains or cables fastened around the valve body, or fastened to bolts or rods through bolt holes in the flanges.

If installation will be delayed, refer to **Form 1454 – Recommended Long & Short-Term Storage Procedures**.

Installation

The valve is installed in the vertical position with the direction of flow upwards. The valve is normally closed and will automatically open when the centrifugal pump starts, and closes when the pump stops running. This will maintain a flooded section and therefore keep the pump primed.

- Before installation, remove foreign material such as weld spatter, oil, grease and dirt from the pipeline.
- Prepare pipe ends and install valves in accordance with the pipe manufacturer's instructions for the joint used.

NOTICE

Do not deflect the pipe-valve joint. Minimize bending stresses in the valve end connection with pipe loading.

- Tighten the flange bolts or studs in a crisscross pattern

Fusion Bonded Epoxy Coated Valves

NOTICE

Valves with fusion bonded epoxy coated exterior paint require flat washers to be installed under the flange nuts when installing the valve to the pipeline flange to prevent the coating from cracking or chipping.

Maintenance

Disassembly Procedure

See Figure 1 for part identification.



WARNING!

Removing the valve while the pipeline is under pressure can cause personal injury or equipment damage. Relieve pipeline pressure before removing the valve.

1. Relieve the pressure in the pipeline and remove the valve.
2. Lay valve down with Strainer (S50) facing up.
3. Remove Strainer Screws (S16) that hold Strainer (S50) to Body (S01).
4. Remove Seat Retaining Screws (S07) to allow Seat Retaining Balls (S06) to retract from the groove.
5. Remove Seat (S02) and Plug (S03). In some cases, it may be necessary to use penetrating oil or rust solvent to loosen the rust that may have formed between the body (S01) and seat (S02). Also, it may be helpful to rotate the seat in the body to break loose the seat retaining ball (S07).
6. Remove Bushing Retaining Ring (S11) and Bushing (S05).
7. Clean all surfaces before re-assembly. Replace all defective parts.

Assembly Procedure

See Figure 1 for part identification.

1. Replace Bushing (S05) in Body (S01) and secure with Bushing Retaining Ring (S11).
2. Place new Resilient Seat (S08) in Seat (S02).
3. Insert Plug (S03) and Seat (S02) in Body (S01).
4. Place Seat Retaining Balls (S06) in groove and secure with Seat Retaining Screws (S07).
5. Install new Strainer Gasket (S15).
6. Secure Strainer (S50) to Body (S01) with Strainer Screws (S16), Strainer Nuts (S17) and Strainer Washers (S18).

Installing or Replacing the Resilient Seat (S08)

Removing the Resilient Seat (S08) from the groove in Seat (S02) is very difficult to do without damaging the Resilient Seat (S08). Do not remove the Resilient Seat (S08) unless you need to replace it and have a new one on hand to install.

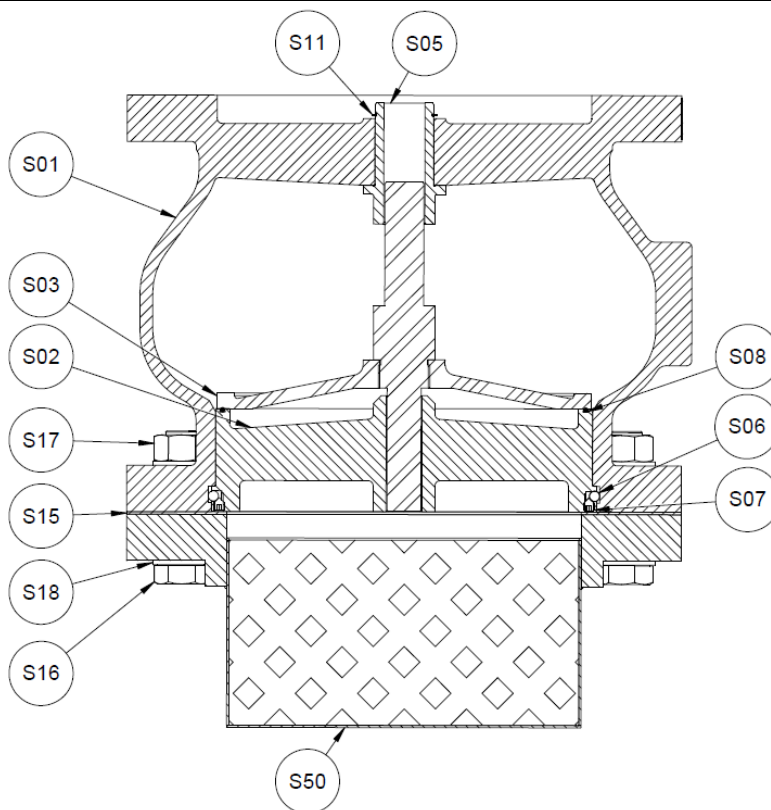
Installing the Resilient Seat (S08) is easiest when it is done in two stages, first by hand, then rolling a round tool to press the Resilient Seat (S08) completely into the groove in Seat (S02).

1. Ensure the Resilient Seat (S08) groove in Seat (S02) is free of debris and place the Resilient Seat (S08) over the groove.
2. Press the Resilient Seat (S08) into groove by hand.
3. Roll a round tool along the Resilient Seat (S08) to seat the Resilient Seat (S08) uniformly into the groove.

Operation

Once the FFF-1400A is installed, it is recommended that the suction line is manually filled. Once the suction line is filled, operation of the FFF-1400A is automatic. The normally closed valve opens when the pump activates and provides draw. When the pump deactivates and pipeline pressure reverses, the valve automatically returns to the closed position leaving the pump primed.

Drawing



Item No.	Description
S01	BODY
S02	SEAT
S03	PLUG
S05	BUSHING
S06	SEAT RETAINING BALL
S07	SEAT RETAINING SCREW
S08	RESILIENT SEAT
S11	BUSHING RETAINING RING
S15	STRAINER GASKET
S16	STRAINER SCREW
S17	STRAINER NUT
S18	STRAINER WASHER
S50	STRAINER

Figure 1: APCO FFF-1400A Full Flow Foot Valve

Troubleshooting

<i>Condition</i>	<i>Possible Cause</i>	<i>Corrective Action</i>
Valve will not close.	Plug stem may be worn and may have come out of the guide.	Replace Plug.
Valve leaks excessively from one side of the plug to the other.	Foreign matter or mineral deposits may be caught between plug and seat.	Remove foreign matter or deposits.
	Seat is worn or damaged.	Repair or replace seat ring.
Valve will not open.	Improper installation.	Flow arrow on valve body should be pointing in direction of flow.
Valve leaks at flange joint.	Loose flange bolting.	Tighten flange bolting.
	Blown flange gasket.	Replace flange gasket.
	Misalignment or damage to field piping and supports.	Adjust misalignment or repair piping or supports.
	Damaged flange face/s or improper flange connections.	Repair flange, replace valve body or adjust flange connections.

Limited Warranty

DeZURIK, Inc. ("Seller") manufactured products, auxiliaries and parts thereof that we manufacture for a period of twenty-four (24) months from date of shipment from Seller's factory, are warranted to the original purchaser only against defective workmanship and material, but only if properly stored, installed, operated, and serviced in accordance with Seller's recommendations and instructions.

For items proven to be defective within the warranty period, your exclusive remedy under this limited warranty is repair or replacement of the defective item, at Seller's option, FCA Incoterms 2020 Seller's facility with removal, transportation, and installation at your cost.

Products or parts manufactured by others but furnished by Seller are not covered by this limited warranty. Seller may provide repair or replacement for other's products or parts only to the extent provided in and honored by the original manufacturer's warranty to Seller, in each case subject to the limitations contained in the original manufacturer's warranty.

No claim for transportation, labor, or special or consequential damages or any other loss, cost or damage is being provided in this limited warranty. You shall be solely responsible for determining suitability for use and in no event shall Seller be liable in this respect.

This limited warranty does not warrant that any Seller product or part is resistant to corrosion, erosion, abrasion or other sources of failure, nor does Seller warrant a minimum length of service.

Your failure to give written notice to us of any alleged defect under this warranty within twenty (20) days of its discovery, or attempts by someone other than Seller or its authorized representatives to remedy the alleged defects therein, or failure to return product or parts for repair or replacement as herein provided, or failure to store, install, or operate said products and parts according to the recommendations and instructions furnished by Seller shall be a waiver by you of all rights under this limited warranty.

This limited warranty is voided by any misuse, modification, abuse or alteration of Seller's product or part, accident, fire, flood or other Act of God, or your failure to pay entire contract price when due.

The foregoing limited warranty shall be null and void if, after shipment from our factory, the item is modified in any way or a component of another manufacturer, such as but not limited to; an actuator is attached to the item by anyone other than a Seller factory authorized service personnel.

All orders accepted shall be deemed accepted subject to this limited warranty, which shall be exclusive of any other or previous warranty, and this shall be the only effective guarantee or warranty binding on Seller, despite anything to the contrary contained in the purchase order or represented by any agent or employee of Seller in writing or otherwise, notwithstanding, including but not limited to implied warranties.

THE FOREGOING REPAIR AND REPLACEMENT LIMITED WARRANTY IS IN LIEU OF ALL OTHER WARRANTIES, OBLIGATIONS AND LIABILITIES, INCLUDING, BUT NOT LIMITED TO, ALL WARRANTIES OF FITNESS FOR A PARTICULAR PURPOSE OR OF MERCHANTABILITY OR OTHERWISE, EXPRESSED OR IMPLIED IN FACT OR BY LAW, AND STATE SELLER'S ENTIRE AND EXCLUSIVE LIABILITY AND YOUR EXCLUSIVE REMEDY FOR ANY CLAIM IN CONNECTION WITH THE SALE AND FURNISHING OF SERVICES, GOODS OR PARTS, THEIR DESIGN, SUITABILITY FOR USE, INSTALLATION OR OPERATIONS. NEITHER ANY PERFORMANCE OR OTHER CONDUCT, NOR ANY ORAL OR WRITTEN INFORMATION, STATEMENT, OR ADVICE PREPARED BY SELLER OR ANY OF OUR EMPLOYEES OR AGENTS WILL CREATE A WARRANTY, OR IN ANY WAY INCREASE THE SCOPE OR DURATION OF THE LIMITED WARRANTY.

Disclaimer

Metric fasteners should not be used with ASME Class 150/300 bolt holes and flange bolt patterns. If you use metric fasteners with ASME Class 150/300 bolt holes and flange bolt patterns, it may lead to product failure, injury, and loss of life. DeZURIK Inc. disclaims all liability associated with the use of metric fasteners with ASME Class 150/300 bolt holes and flange patterns, including but not limited to personal injury, loss of life, loss of product, production time, equipment, property damage, lost profits, consequential damages of any kind and environment damage and/or cleanup. Use of metric fasteners with ASME Class 150/300 bolt holes and flange bolt patterns is a misuse that voids all warranties and contractual assurances. If you use metric fasteners with ASME Class 150/300 bolt holes and flange bolt patterns, you do so at your sole risk and any liability associated with such use shall not be the responsibility of DeZURIK, Inc. In addition to the foregoing, DeZURIK's Manufacturer's Conditions apply.

Limitation of Liability

IN NO EVENT SHALL SELLER BE LIABLE FOR ANY DIRECT, INDIRECT, SPECIAL, PUNITIVE, EXEMPLARY, OR CONSEQUENTIAL DAMAGES (INCLUDING, BUT NOT LIMITED TO; DAMAGE TO OR LOSS OF OTHER PROPERTY OR EQUIPMENT, BUSINESS INTERRUPTION, COST OF SUBSTITUTE PRODUCTS, LOSS OF TIME, LOSS OF PROFITS OR REVENUE, COST OF CAPTIAL, LOSS OF USE, OR DIMINUTION IN VALUE) WHATSOEVER, AND SELLER'S LIABILITY, UNDER NO CIRCUMSTANCES, WILL EXCEED THE CONTRACT PRICE FOR THE GOODS AND/OR SERVICES FOR WHICH LIABILITY IS CLAIMED. ANY ACTION FOR BREACH OF CONTRACT BY YOU, OTHER THAN RIGHTS RESPECTING OUR LIMITED WARRANTY DESCRIBED ABOVE, MUST BE COMMENCED WITHIN 12 MONTHS AFTER THE DATE OF SALE.

Sales and Service

For information about our worldwide locations, approvals, certifications and local representative:

Web site: www.dezurik.com E-Mail: info@dezurik.com



250 Riverside Ave. N., Sartell, MN 56377 • Phone: 320-259-2000 • Fax: 320-259-2227

DeZURIK, Inc. reserves the right to incorporate our latest design and material changes without notice or obligation.

Design features, materials of construction and dimensional data, as described in this manual, are provided for your information only and should not be relied upon unless confirmed in writing by DeZURIK, Inc. Certified drawings are available upon request.