

# DeZURIK SQUARE/RECTANGULAR KNIFE GATE VALVES

DeZURIK KSR Square or Rectangular Knife Gate Valves are custom designed for specialized equipment, flow bins, dryers, storage hoppers or other dry handling equipment. They can be used for a variety of process media including polyethylene pellets, fly ash, cement, sand and other dry materials. Standard pressure rating is 150 psig (1035 kPa). Seat options include both metal and resilient. Actuator options include handwheel, cylinder, lever or electric motor.

**Applications:** Specialized equipment, flow bins, dryers, storage hoppers and other dry handling equipment.

**Process Media:** Polyethylene pellets, fly ash, cement, sand and other dry materials.

**Size Range:** 36" (900mm) maximum length or width.

**Pressure Rating:** 150 psig (1035 kPa)

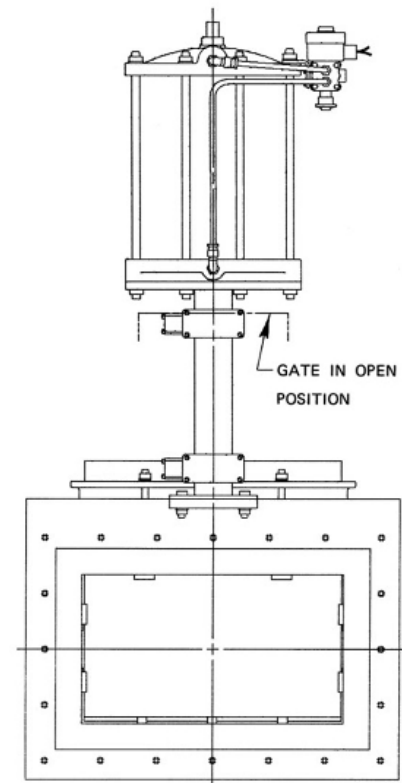
**Shutoff Class:** ASME Class II

**Body Materials:** 304 or 316 stainless steel and carbon.

**Actuators:** Handwheel, cylinder, lever or electric motor.

**Ordering:** For a quote/recommendation on a Square/Rectangular Knife Gate Valve, contact Application Engineering with the following information:

- Valve size
- Flange configuration and bolt pattern
- Pressure
- Shutoff pressure
- Allowable leakage rate
- Flowing media
- Actuator type
- Materials of construction
- Accessories



Typical of the many Square/Rectangular Knife Gate Valves by DeZURIK.

## **Sales and Service**

For information about our worldwide locations, approvals, certifications and local representative:

Web Site: [DeZURIK.com](http://DeZURIK.com) E-Mail: [info@DeZURIK.com](mailto:info@DeZURIK.com)



250 Riverside Ave. N. Sartell, Minnesota 56377 • Phone: 320-259-2000 • Fax: 320-259-2227

*DeZURIK, Inc. reserves the right to incorporate our latest design and material changes without notice or obligation. Design features, materials of construction and dimensional data, as described in this bulletin, are provided for your information only and should not be relied upon unless confirmed in writing by DeZURIK, Inc. Certified drawings are available upon request.*